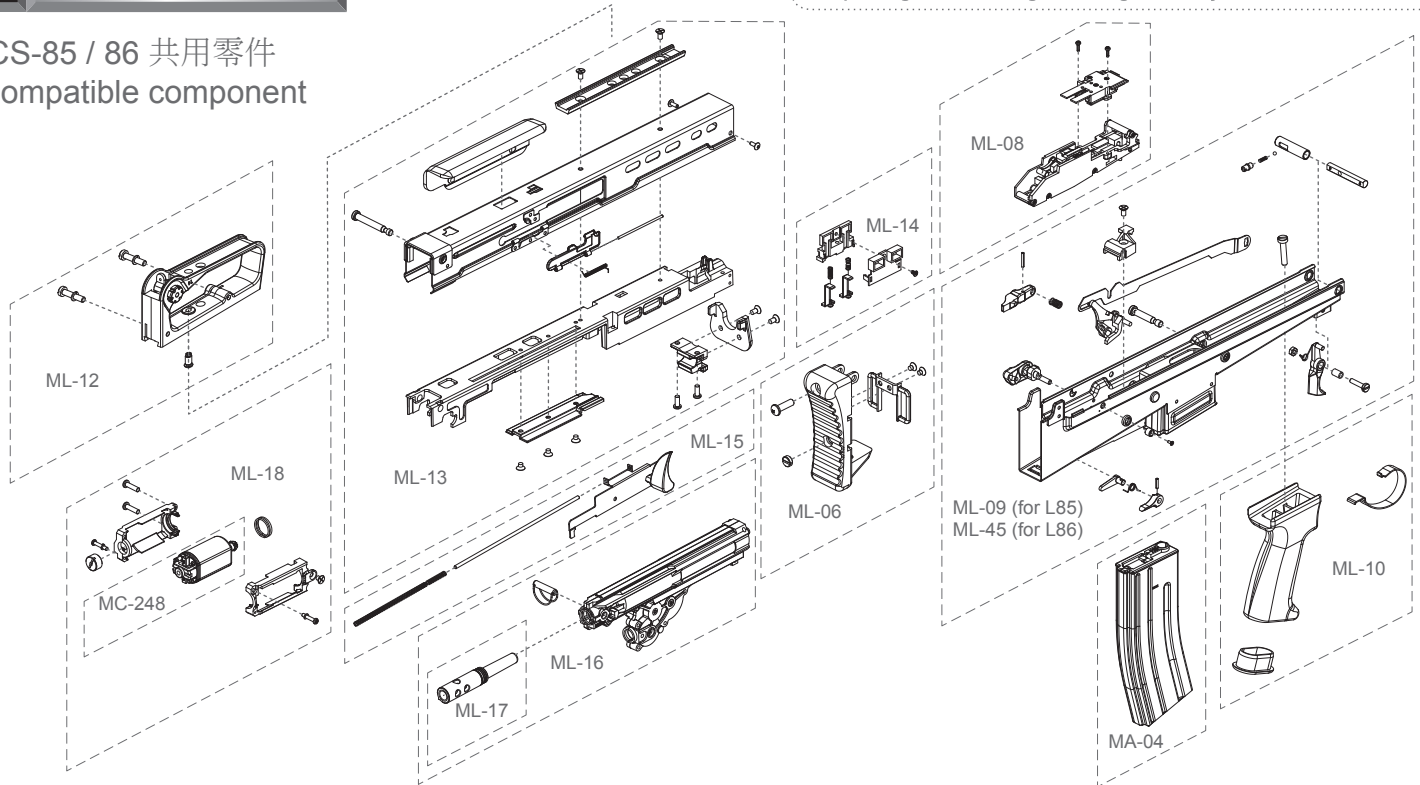


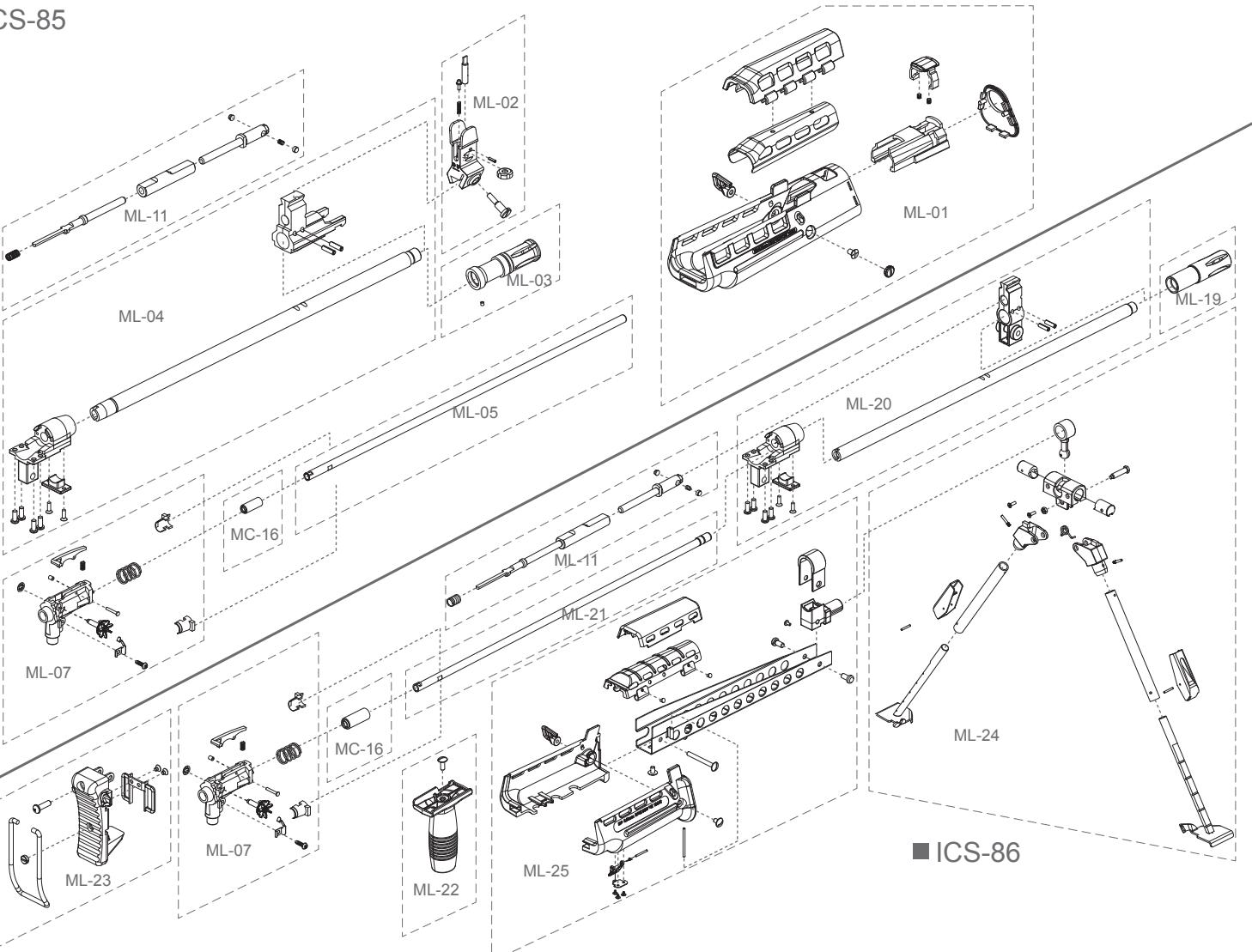
## 8 各部零件說明 Description

### ICS-85 / 86 共用零件 Compatible component

\*每一款槍型基本配備不同依實際出貨為主。圖片僅供參考。  
The components/accessories for each model may have kind of differences depending on the actual goods. Images are only for reference.

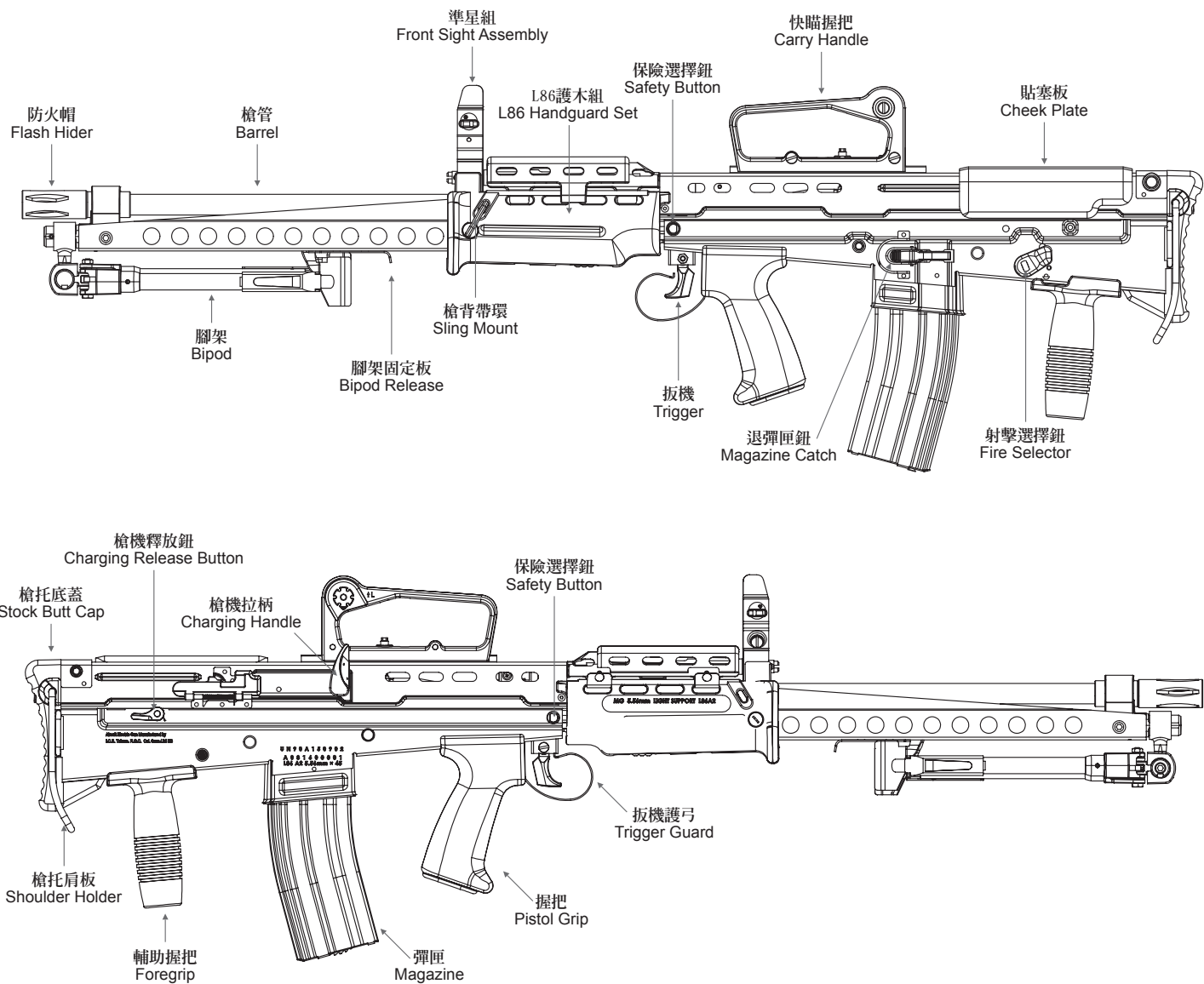


### ICS-85



### ICS-86

## 1 各部名稱 Series Component

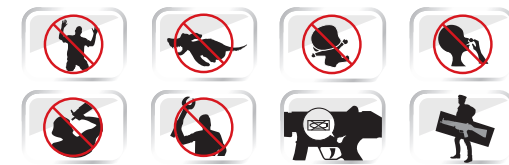


相關系列產品型號與詳細規格，請以官方網站公布為主。  
For related series product models and detailed specifications, please refer to the official website.

Patents acquired: R.O.C M336427/ R.O.C. I320473

### WARNING 警告 電槍使用之注意事項 Maintenance

- 請勿使用劣質或回收BB彈，以減少槍管損耗及避免卡彈。
- 一旦發生卡彈或射擊速度降低時，應立即停止射擊，以避免齒輪過度耗損。請使用通槍條將殘彈清除，或檢測電池電量後方可繼續使用。
- 不使用本產品時，請務必將射擊選擇鈕置於保險(S)的位置上，將電池移除並定期使用通槍條清潔槍管。
- 請依原廠附贈之保險絲規格使用。不當配置可能導致零件故障，槍內配置M100彈簧請用20A保險絲，M120彈簧請用25A保險絲。
- 彈頭直徑6mm。其槍口動能為二焦耳以下、射擊範圍為50公尺以內。
- 適用年齡為18歲以上。
- 使用本商品不得改造或變造，並不得使用金屬彈頭。
- 「此槍非玩具」，濫用可能造成嚴重傷害，尤其是眼睛。使用時應確保本身及射擊範圍內所有人員均已確實穿戴護目鏡。
- 使用方法及注意事項請詳閱說明書內容。
- 建議使用以下電池以達到最大效益：  
SSS系統建議使用7.4v / 11.1v Li-Po電池。  
傳統電開與FET電開系統11.1v LiPo電池Ready。  
※使用非建議電池可能會造成產品效能低落、功能異常甚至損毀。  
(原產地：台灣 / 製造商：一芝軒企業有限公司 / 地址：台中市神岡區東洲路79巷67號 / 電話：04-25256461)
- To reduce the abrasion of inner barrel and to avoid BB jam, please do not use inferior or reused BB pellets.
- If your gun is jammed or the muzzle velocity has decreased, please stop shooting immediately in case the gear abrades excessively. Use the clearing rod to clear out the remaining pellets, or check your battery power before continue using your gun.
- Please engage the safety, dismount the battery and clear the inner barrel with the clearing rod periodically when not using this product.
- Please use the same fuse specification as the original one. Equipping improper fuse might cause malfunction to the components. Apply 20A fuse if the gun using a M100 spring; apply 25A fuse if using M120 spring.
- The diameter of the BB pellet is 6mm. The muzzle energy is less than two joules, and the shooting range is within 50 meters.
- The recommended age to operate this product is 18 years old and above.
- Modify, reform, and using metal bullets on this product are strictly forbidden.
- This is NOT a toy. Abusing might cause severe injuries, especially to the eyes. Before operating, please make sure that every personnel in the shooting range have worn eye protections properly, including the operator.
- Please read the manual for instruction and precaution.
- In order to achieve the maximum performance, the following batteries are recommended:  
SSS system: 7.4v or 11.1v Li-Po batteries.  
Traditional switch and FET switch system: 11.1v Li-Po battery Ready.  
※Using non-recommended batteries may cause poor performance, abnormal functions or even damage to the product.  
Origin: Taiwan/ Manufacturer: ICS enterprise Co., Ltd / Address: No.67, Ln. 79, Dongzhou Rd., Shengang Dist., Taichung City 429, Taiwan / TEL : (+886) 4-2525-6461



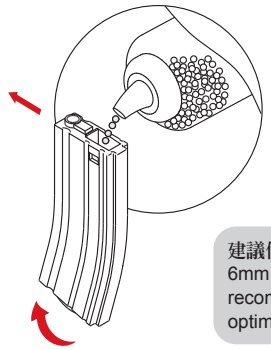


## 2 彈匣使用方式 Magazine Attachment

### 2-1 裝BB彈方式 Load BBs

將彈匣上蓋依箭頭方向推開再倒入BB彈。  
Open the cover to load BBs.

依箭頭方向旋緊彈匣底下旋鈕，即可將BB彈順利送出。  
To charge BB feed spring, please rotate the gear under the magazine.



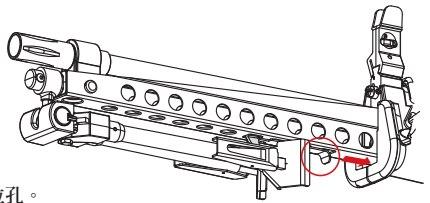
建議使用 6mm BB彈。  
6mm caliber BBs are recommended for optimum performance.

## 3 可動部的說明 Movable Parts

### 3-1 L86腳架調整 L86 Store Bipod

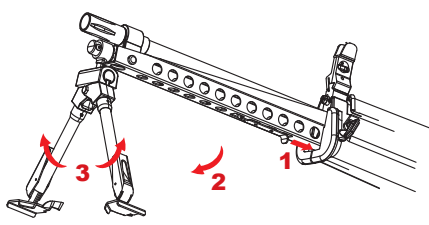
#### 1 腳架收合 To store the Bipod

1. 將腳架固定板往後拉。
  2. 手抓住腳架使之併齊。
  3. 將腳架兩卡勾裝進護木上的定位孔。
  4. 放開固定板以收合腳架。
1. Pull the bipod releasing plate.
  2. Grab the bipod to align them together.
  3. Insert the hook on the stands into the positioning hole under the handguard.
  4. Release the releasing plate to store the bipod.



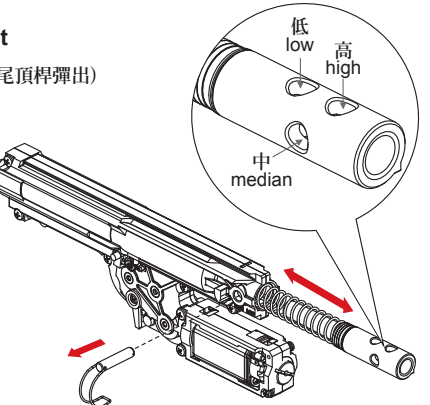
#### 2 腳架佈署 To deploy the Bipod

1. 將腳架固定板往後拉。
  2. 手抓住腳架使之併齊。
  3. 將腳架脫離護木定位孔。
  4. 放開腳架，腳架即可自然打開完成部署。
1. Pull the bipod releasing plate.
  2. Grab the bipod to align them together.
  3. Remove the stands from the positioning hole under the handguard.
  4. The bipod will be deployed automatically once you released it.



### 3-2 彈簧簧力調整 Spring Adjustment

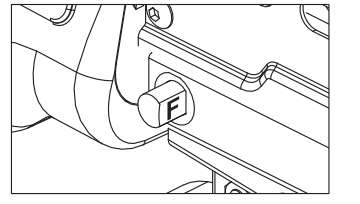
1. 將彈簧固定結合銷拉出。(注意尾頂桿彈出)
  2. 配合結合銷所插入的對應孔位，即可調整至對應的簧力。
1. Pull out the spring fixing pin. (Be careful with the spring guide to eject)
  2. The spring strength can be adjust by pinning the pin into the corresponding position.



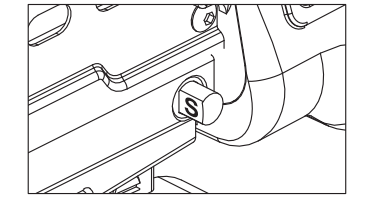
## 4 精確射擊調整動作 Precision Targeting Adjustment

### 4-1 保險切換 Safety Switch

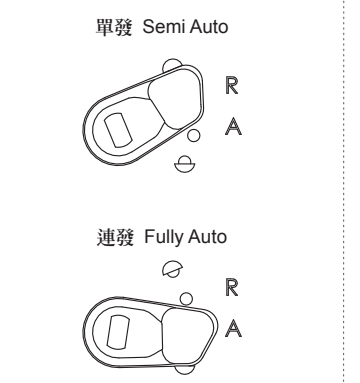
保險切換至F位置，扣壓扳機即可擊發。  
Switch the safety to "F" and pull the trigger to fire.



保險切換至S位置，則無法扣壓扳機擊發。  
No shots can be fired when the safety has been switched to "S" and engaged.

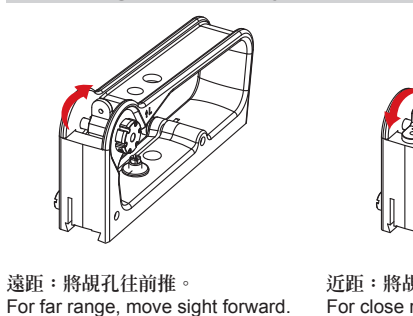


### 4-2 選擇射擊模式 Shooting Mode Setting



### 4-4 覘孔左右調整 Rear Sights Adjustment

#### A: 瞄準距離遠近調整 Aiming Distance Adjustment

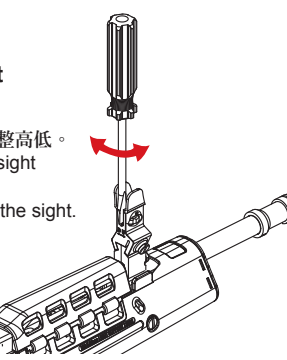


遠距：將覘孔往前推。  
For far range, move sight forward.

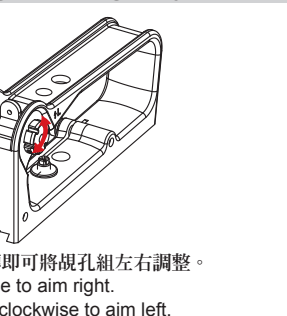
近距：將覘孔往後推。  
For close range, mover sight backward.

### 4-3 準星高度調整 Front Sights Adjustment

1. 使用一字起子壓下準星壓鈕。
  2. 將準星調整桿壓入後，即可轉動準星調整高低。
1. Use the screwdriver to press the front sight adjustment pin downward.
  2. Rotate the sight to adjust the height of the sight.



#### B: 覘孔左右調整 Rear Sight Windage Adjustment

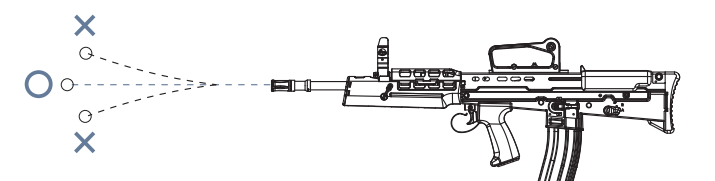
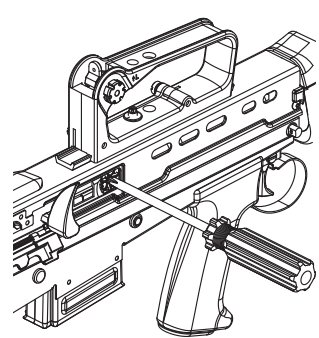


依旋鈕方向旋轉即可將覘孔組左右調整。  
Rotate clockwise to aim right.  
Rotate counter clockwise to aim left.

## 5 H-UP 彈道調整 H-UP Adjustment

1. 將槍機拉柄往後拉到不放。
  2. 將槍機釋放鈕往上撥，再微放槍機拉柄即可固定在後。(即可調整H-UP)
  3. 快速拉動槍機拉柄，即可釋放槍機回到原位。
1. Pull and hold the charging handle to the end.
  2. To adjust the H-up, push the bolt catch upward, then slightly release the bolt catch to hold the charging handle at the end.
  3. Pull the charging handle rapidly to release and return it to the original position.

**注意** 非必要時，手指請勿放置於H-UP調整處，避免受傷。  
\*To avoid injuries, only put your finger on the H-up adjustment when necessary.



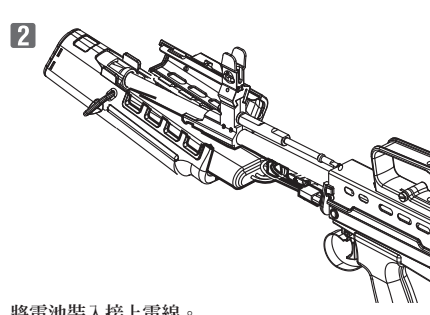
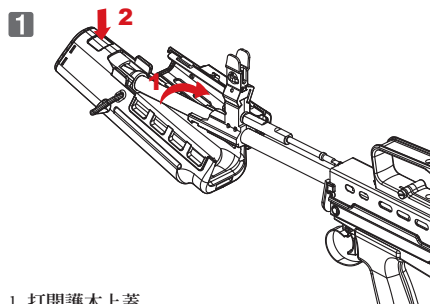
H-UP調整：BB彈呈現一直線的彈道才是正確射法。  
過於上飄：將撥盤向上旋轉。  
過於下墜：將撥盤向下旋轉。  
H-up Adjustment: Make sure the trajectory of the BB pellets to be straight.  
When the BB pellet flies up: Rotate the dial counter-clockwise to lower the trajectory.  
When the BB pellet falls down: Rotate the dial clockwise to raise the trajectory.

## 6 電池的拆裝方法 Battery Installation and Disassembly

**注意** 重新組裝時，必須依反向動做組合。  
\*Reassembling is the reverse of disassembling procedures.

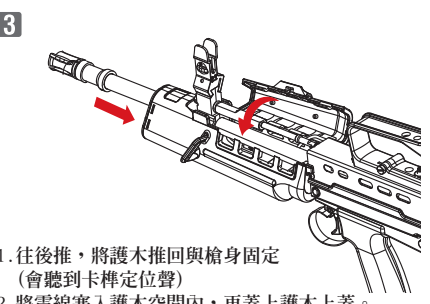
### A: ICS-85

1. 打開護木上蓋
  2. 壓下護木拆卸鈕，並將護木向前推出即可取下。
1. Open up the upper handguard.
  2. To remove the handguard, press the handguard release button, and push the handguard forward.



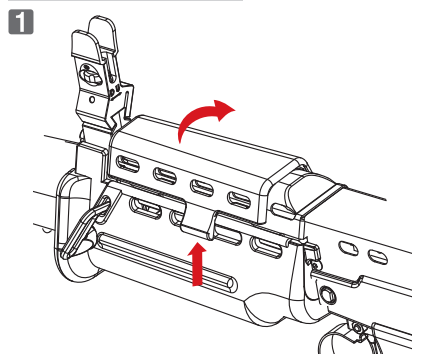
將電池裝入接上電線。  
Load the battery and connect it to the wires.

1. 往後推，將護木推回與槍身固定(會聽到卡榫定位聲)
  2. 將電線塞入護木空間內，再蓋上護木上蓋。
1. Push the handguard backward to reattach to the receiver. (A click can be heard when the latch is locked in position.)
  2. Insert the wires into the space of the handguard, then close the upper handguard.



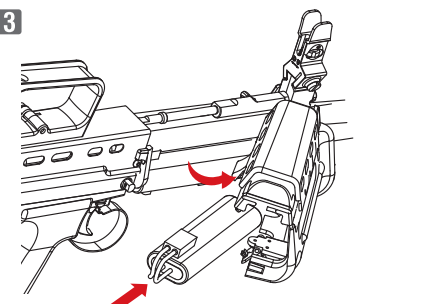
### B: ICS-86 / ICS-87

1. 拆開護木卡扣並將護木掀開。
1. Open up the upper handguard by detaching the handguard clip.



將護木閉合蓋掀開。  
Open the handguard assembling plate.

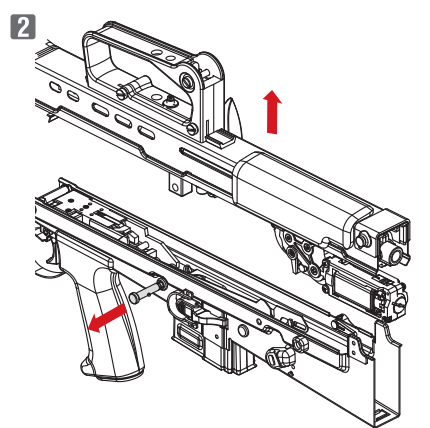
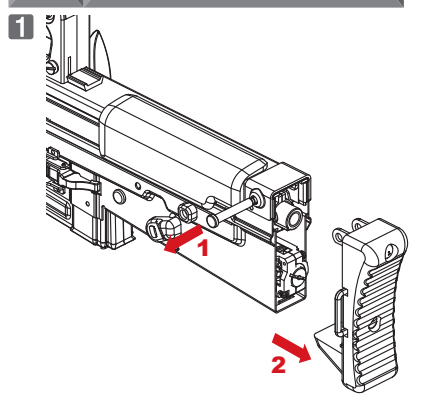
1. 將護木向側方拉開，將電池置入並接上電源線。
  2. 將護木合起，並把上蓋及閉合蓋關上即可。
1. Open the handguard to the side, insert the battery and connect it to the wires.
  2. Push the handguard back to position, close the upper handguard and the assembling plate to assemble the handguard.



## 7 齒輪箱拆解 Disassemble Gearbox

**注意** 先卸彈匣跟電池，再進行拆解。  
\*Unload the magazine and battery before you proceed to disassemble.

1. 拉出槍托結合銷
  2. 將槍托底板卸下
1. Remove the butt plate pin.
  2. Remove the butt plate.



將槍身結合銷拉出，即可將上下槍身分離。  
Pull out the receiver pins to separate the upper and lower receiver.

1. 將上槍身組倒立放置，避免齒輪箱掉落。
  2. 拆除連接馬達的電源線，即可將齒輪箱抽出。
1. Turn the upper receiver assembly upside down and avoid gearbox dropping.
  2. Disconnect the wire which is connected to the motor, then pull out the gearbox.

