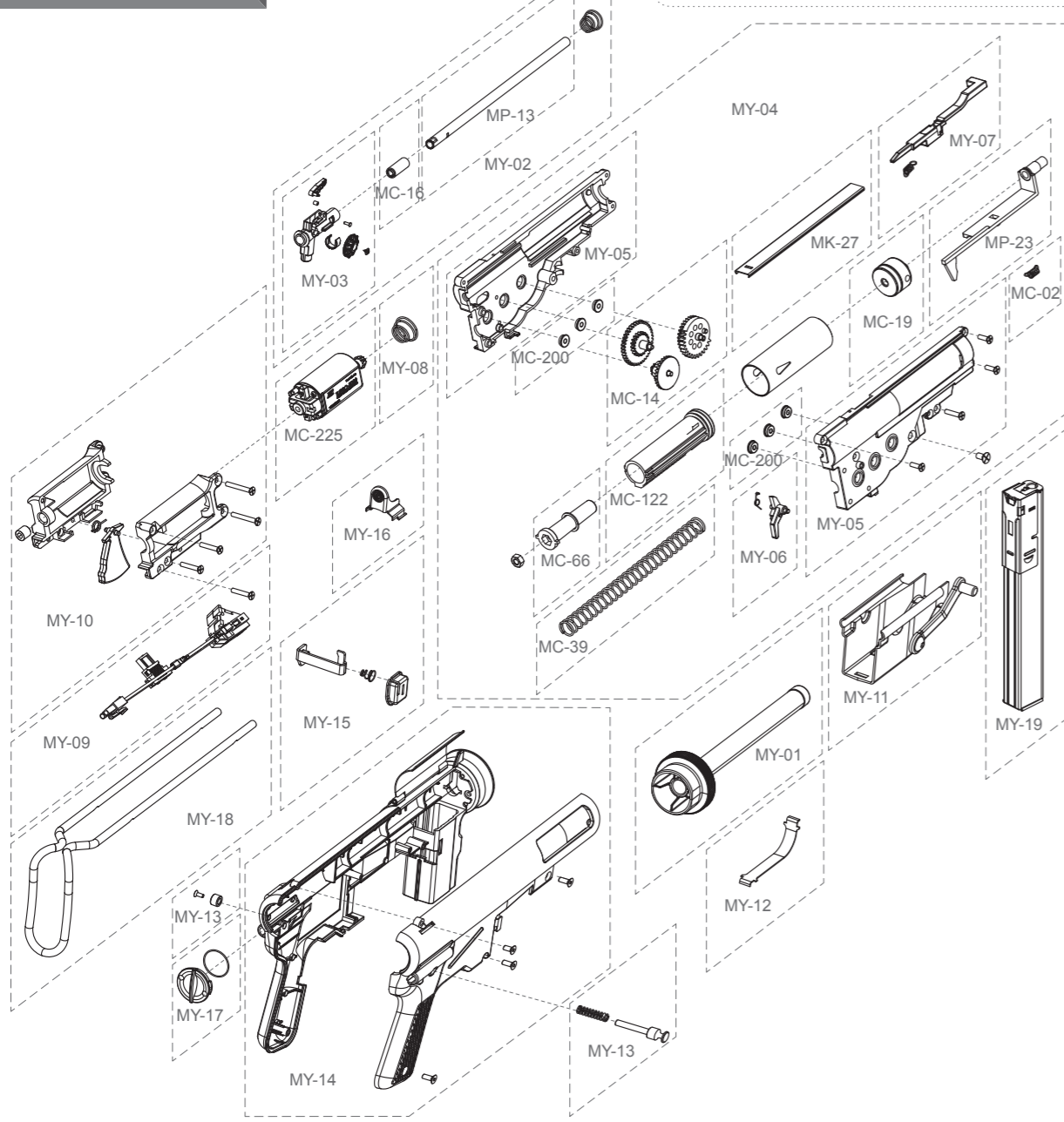


8 各部零件說明 Description

ICS-200

*每一款槍型基本配備不同依實際出貨為主。圖片僅供參考。
The components/accessories for each model may have kind of differences depending on the actual goods. Images are only for reference.



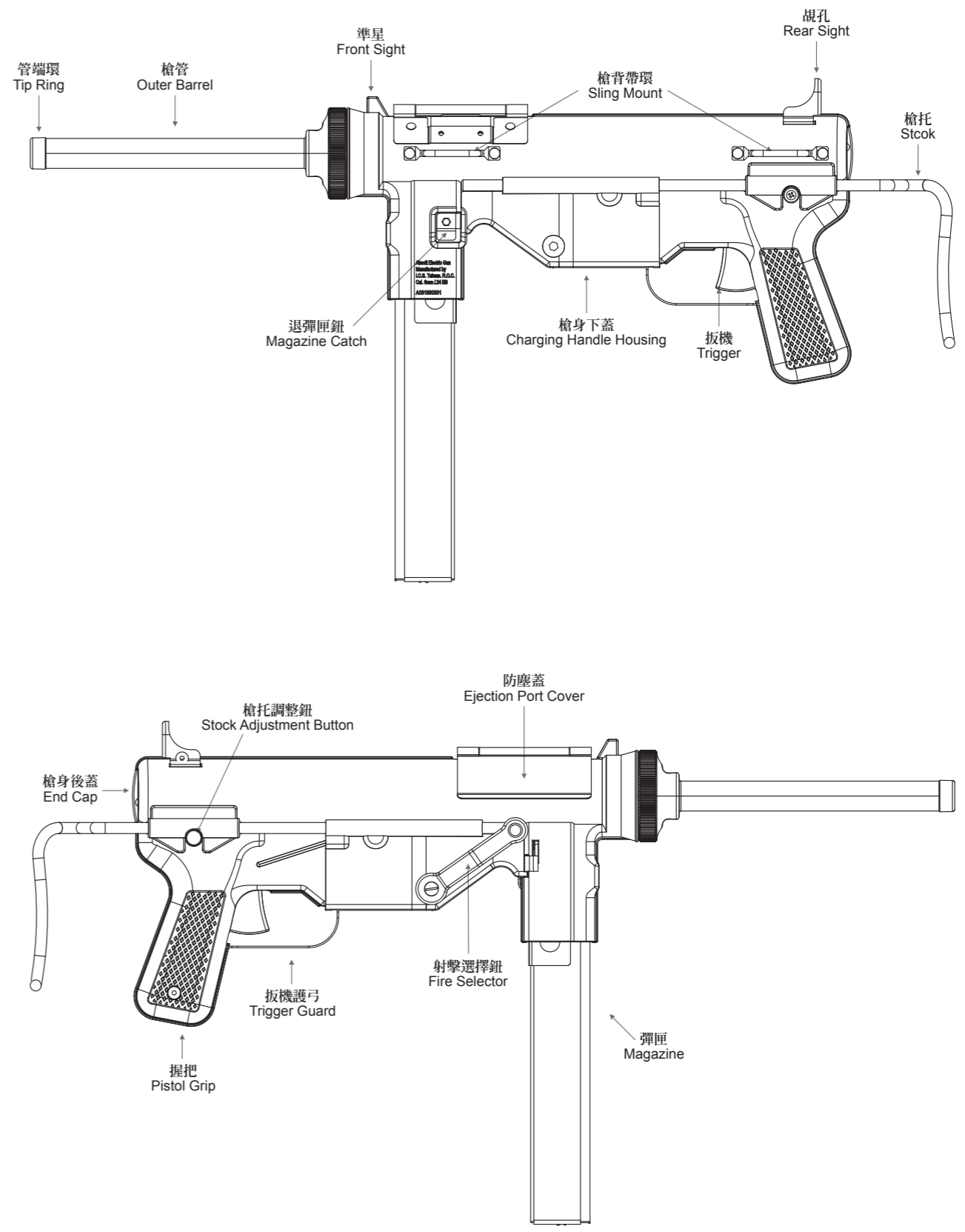
Patents acquired: R.O.C. M244431 / US7077117B1 / R.O.C. D159178 / USD706880S / EM002246579-0001 / R.O.C. M320468 / R.O.C. M351340 / R.O.C. D124836 / USD607078S

WARNING 警告 電槍使用之注意事項 Maintenance

- 請勿使用劣質或回收BB彈，以減少槍管損耗及避免卡彈。
- 一旦發生卡彈或射擊速度降低時，應立即停止射擊，以避免齒輪過度耗損。請使用通槍條將殘彈清除，或檢測電池電量後方可繼續使用。
- 不使用本產品時，請務必將射擊選擇鈕置於保險(S)的位置上，將電池移除並定期使用通槍條清潔槍管。
- 請依原廠附贈之保險絲規格使用。不當配置可能導致零件故障，槍內配置M100彈簧請用20A保險絲，M120彈簧請用25A保險絲。
- 彈頭直徑6mm。其槍口動能為二焦耳以下、射程範圍為50公尺以內。
- 適用年齡為18歲以上。
- 使用本商品不得改造或變造，並不得使用金屬彈頭。
- 「此槍非玩具」，濫用可能導致嚴重傷害，尤其是眼睛。使用時應確保本身及射程範圍內所有人員均已確實穿戴護目鏡。
- 使用方法及注意事項請詳閱說明書內容。
- 建議使用以下電池以達到最大效益：
SSS系統建議使用7.4v & 11.1v Li-Po電池。
傳統電阻與FET電阻系統11.1v LiPo電池Ready。
※使用非建議電池可能會造成產品效能低落、功能異常甚至損毀。
(原產地: 台灣 / 製造商: 一芝軒企業有限公司 / 地址: 台中市神岡區東洲路79巷67號 / 電話: 04-25256461)
- To reduce the abrasion of inner barrel and to avoid BB jam, please do not use inferior or reused BB pellets.
- If your gun is jammed or the muzzle velocity has decreased, please stop shooting immediately in case the gear abrades excessively. Use the clearing rod to clear out the remaining pellets, or check your battery power before continue using your gun.
- Please engage the safety, dismount the battery and clear the inner barrel with the clearing rod periodically when not using this product.
- Please use the same fuse specification as the original one. Equipping improper fuse might cause malfunction to the components. Apply 20A fuse if the gun using a M100 spring; apply 25A fuse if using M120 spring.
- The diameter of the BB pellet is 6mm. The muzzle energy is less than two joules, and the shooting range is within 50 meters.
- The recommended age to operate this product is 18 years old and above.
- Modify, reform, and using metal bullets on this product are strictly forbidden.
- This is NOT a toy. Abusing might cause severe injuries, especially to the eyes. Before operating, please make sure that every personnel in the shooting range have worn eye protections properly, including the operator.
- Please read the manual for instruction and precaution.
- In order to achieve the maximum performance, the following batteries are recommended:
SSS system: 7.4v or 11.1v Li-Po batteries.
Traditional switch and FET switch system: 11.1v Li-Po battery Ready.
※Using non-recommended batteries may cause poor performance, abnormal functions or even damage to the product.
Origin: Taiwan/ Manufacturer: ICS enterprise Co., Ltd / Address: No.67, Ln. 79, Dongzhou Rd., Shengang Dist., Taichung City 429, Taiwan / TEL: (+886) 4-2525-6461



1 各部名稱 Series Component



相關系列產品型號與詳細規格，請以官方網站公布為主。
For related series product models and detailed specifications, please refer to the official website.

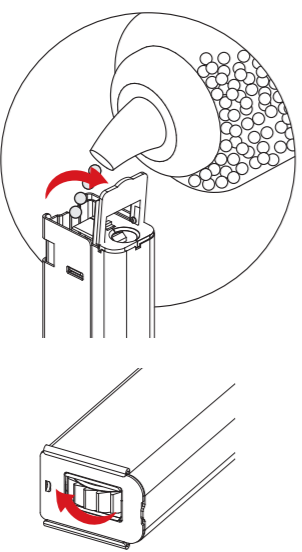
2 彈匣使用方式 Magazine Attachment

2-1 裝BB彈方式 Load BBs

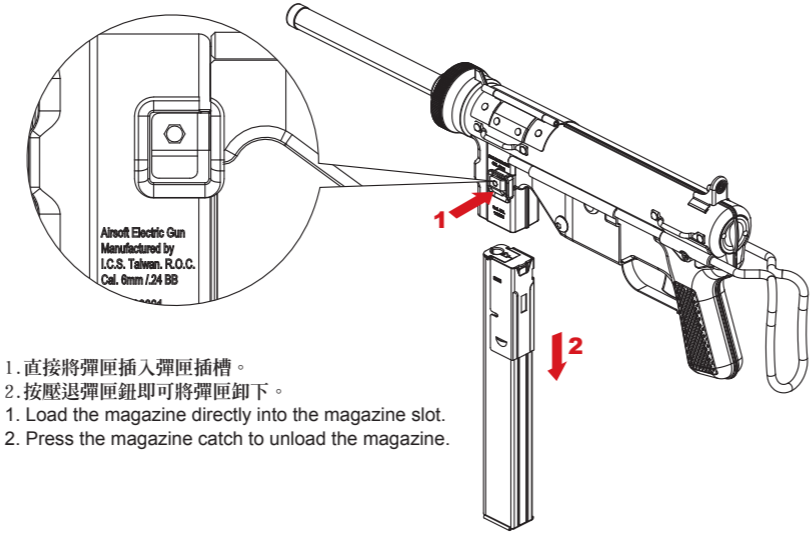
將彈匣上蓋依箭頭方向打開再倒入BB彈。
Open the cover to load BBs.

建議使用 6mm BB彈。
6mm caliber BBs are recommended for optimum performance.

依箭頭方向旋緊彈匣底旋鈕，即可將BB彈順利送出。
To charge BB feed spring, please rotate the gear under the magazine.



2-2 裝卸彈匣 Magazine Loading and Unloading

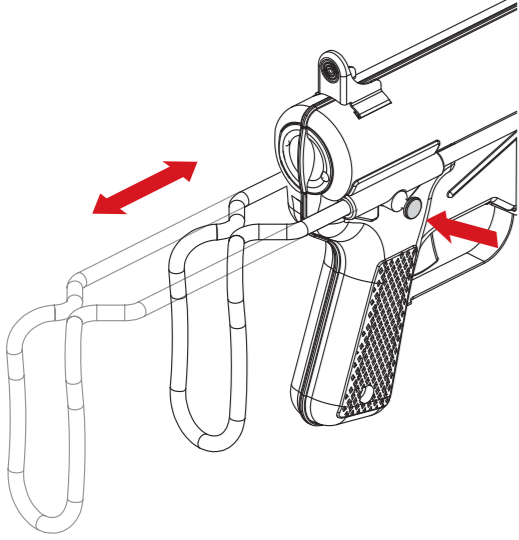


1. 直接將彈匣插入彈匣插槽。
2. 按壓退彈匣鈕即可將彈匣卸下。
1. Load the magazine directly into the magazine slot.
2. Press the magazine catch to unload the magazine.

3 可動部的說明 Movable Parts

3-1 調整伸縮托長度 Adjust Retractable Stock Length

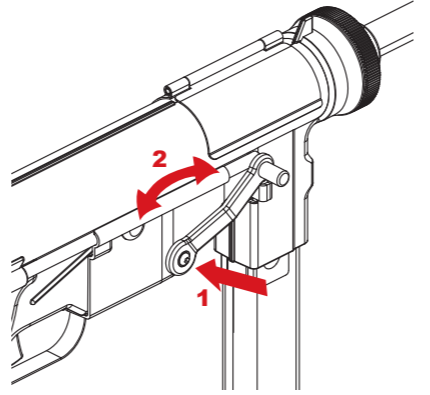
按壓槍托調整鈕，即可將伸縮托向後拉或向前推，共有2段可供調整長度。
Press and hold the stock adjustment button to adjust stock length forward and backward.
A total of 2 lengths are available for adjustment.



4 精確射擊調整動作 Precision Targeting Adjustment

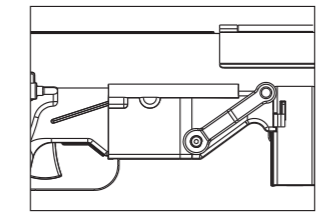
4-1 調整射擊模式 Shooting Mode Adjustment

1. 將拉柄後拉可同時啟動保險、彈簧釋放與拉柄後定等功能，亦可見軸心明顯浮出。
2. 按壓軸心到底，可將拉柄釋放至前方(防塵蓋需打開)以作預備射擊。
1. Pull the charging handle backward to engage safety, spring release and charging handle rear-fixed features, you may also noticed that the axis of the handle is bulged.
2. Press the axis to the end to release the charging handle forward to position ready to fire. (The ejection port cover need to be opened before operate)

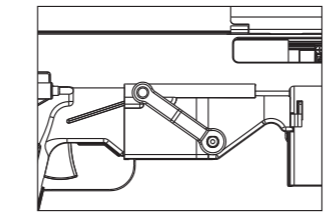


4-2 選擇射擊模式 Shooting Mode Setting

1 槍機拉柄置於前方位置時為全自動模式。
Charging handle at front: Full-Auto.

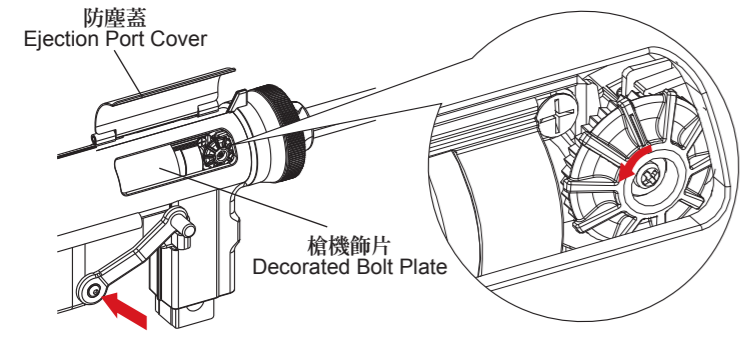


2 槍機拉柄置於後方位置時為保險模式。
Charging handle at rear: Safety Engaged.

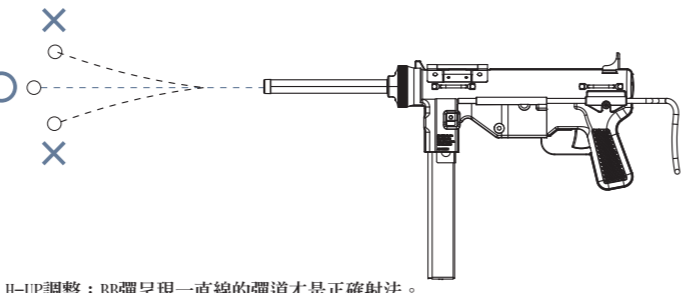


5 H-UP 彈道調整 H-UP Adjustment

注意 非必要時，手指請勿放置於H-UP調整處，避免受傷。
※ To avoid injuries, only put your finger on the H-up adjustment when necessary.



1. 將防塵蓋上翻，槍機拉柄往後拉使槍機飾片向後打開，即可進行彈道調整。
2. 視彈道進行撥盤調整，調整完即可按壓軸心將槍機拉柄釋放回定位。
1. To adjust the trajectory, open up the ejection port cover, then slowly pull the charging handle to the rear-fix position to pull the decorated bolt plate backward.
2. Rotate the dial to adjust the trajectory. Push the axis of the charging handle to return to the front position once you finished the adjustment.

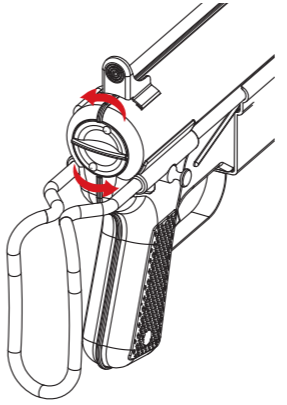


H-UP調整：BB彈呈現一直線的彈道才是正確射法。
過於上飄：將撥盤向前旋轉。
過於下墜：將撥盤向後旋轉。
H-up Adjustment: Make sure the trajectory of the BB pellets to be straight.
When the BB pellet flies up: Rotate the dial counter-clockwise to lower the trajectory.
When the BB pellet falls down: Rotate the dial clockwise to raise the trajectory.

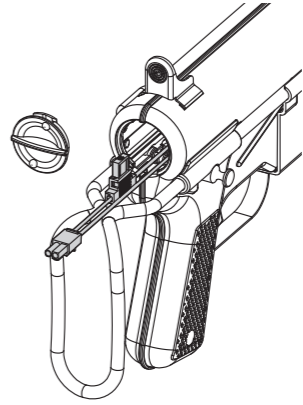
6 電池的拆裝方法 Battery Installation and Disassembly

注意 重新組裝時，必須依反向動作做組合。
※ Reassembling is the reverse of disassembling procedures.

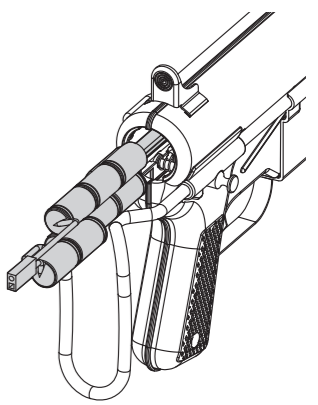
1 將槍身後蓋逆時針方向取下。
Remove the receiver end cap by turning it counter-clockwise.



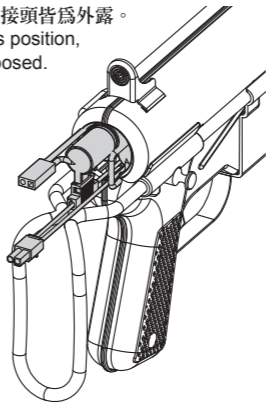
2 拉出電源線接頭。
Pull out the wire connector.



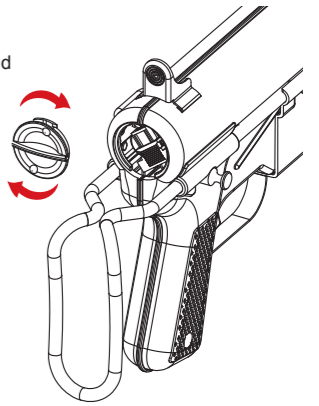
3 將電池塞入槍身內。
Insert the battery into the receiver.



4 將電池塞入置定位，並保持電源接頭與電池接頭皆為外露。
Insert the battery into the receiver and to its position, and keep the connectors on both wires exposed.



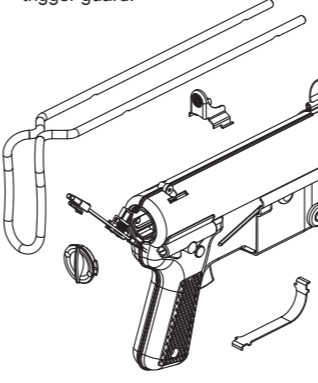
5 將電源與電池接頭連接後，再塞入槍身內，最後將槍身後蓋以順時針方向旋緊。
Connect the 2 connectors on the battery and the wire, then insert the battery into the receiver and put the receiver end cap back on and turn clockwise to tight.



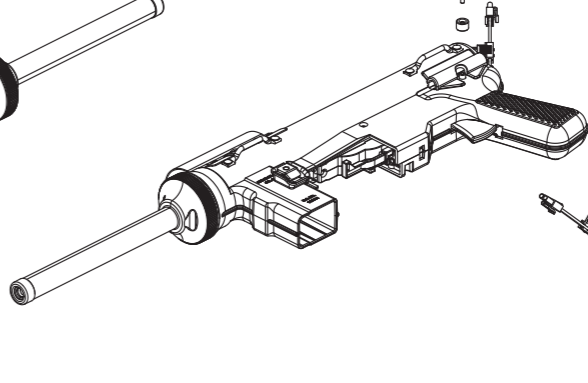
7 齒輪箱拆解 Disassemble Gearbox

注意 先卸彈匣跟電池，再進行拆解。
※ Unload the magazine and battery before you proceed to disassemble.

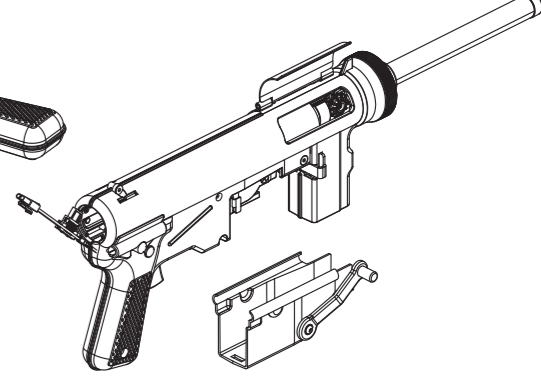
1 先按壓槍托調整鈕將槍托拆下後，將視孔座、槍身後蓋、扳機護弓拆下。
Press the stock adjustment button to remove the stock, then dismount the rear sight, receiver end cap, and the trigger guard.



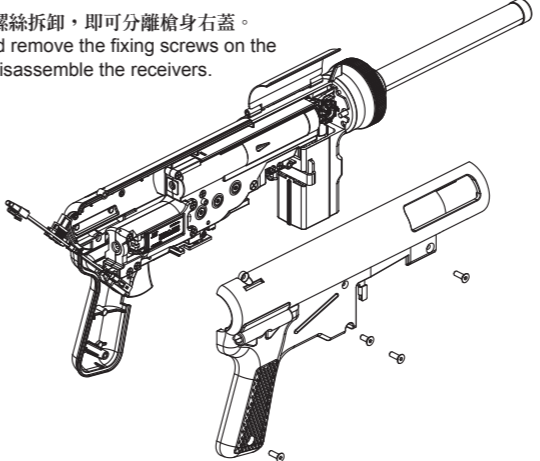
2 將槍身翻轉至正面，並拆下槍托調整鈕上的螺絲。
Flip the gun left side up, and remove the stock adjustment screw.



3 將槍身下蓋往下抽出。
Remove the charging handle housing.



4 將槍身固定螺絲拆卸，即可分離槍身右蓋。
Unscrew and remove the fixing screws on the receiver to disassemble the receivers.



5 將齒輪箱固定螺絲拆卸後，即可將齒輪箱與H-UP組取出。
Unscrew and remove the fixing screws on the gearbox to remove the gearbox and the H-UP set.

