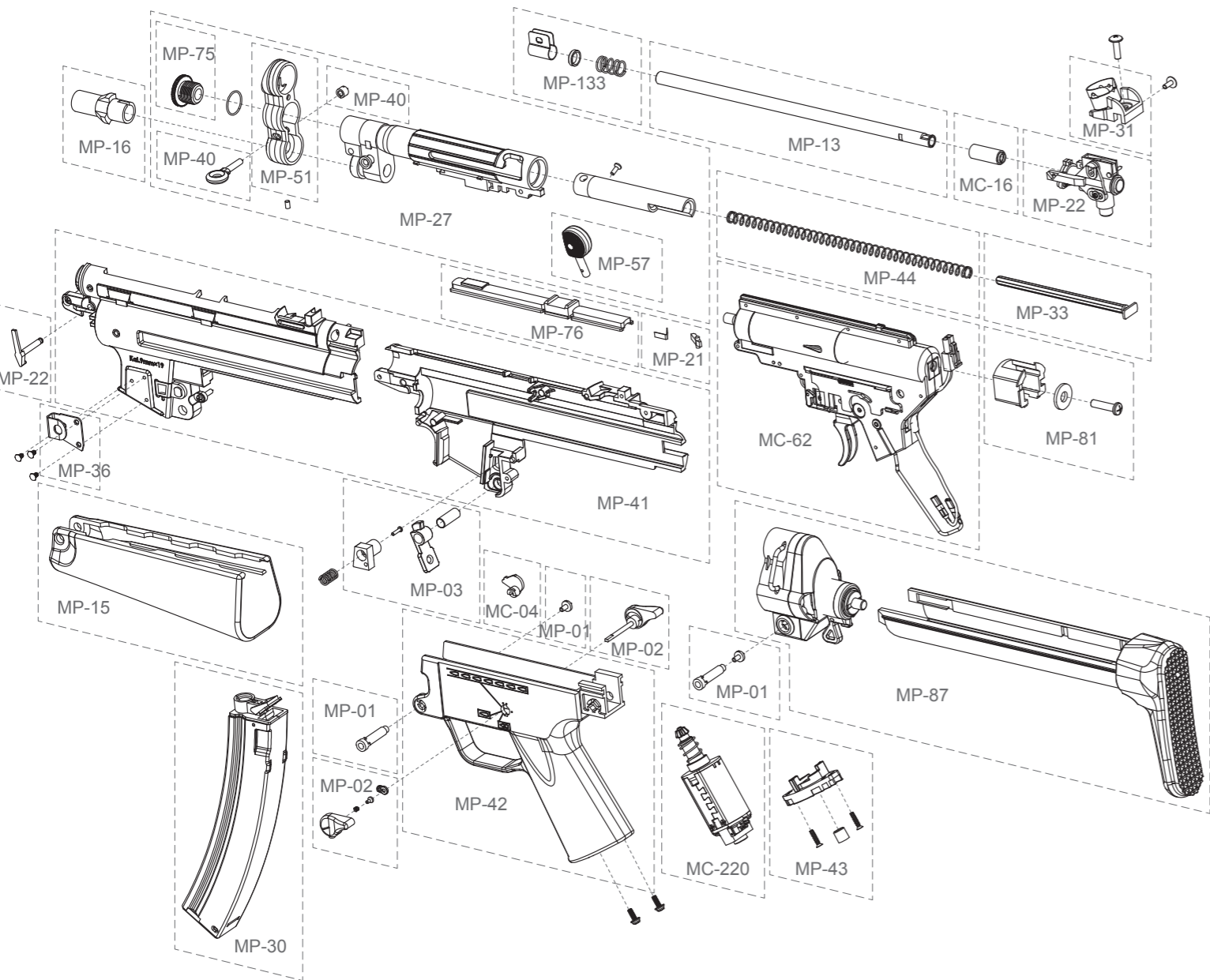


8

各部零件說明 Description

ICS-04

*每一款槍型基本配備不同依實際出貨為主。圖片僅供參考。
The components/accessories for each model may have kind of differences depending on the actual goods. Images are only for reference.



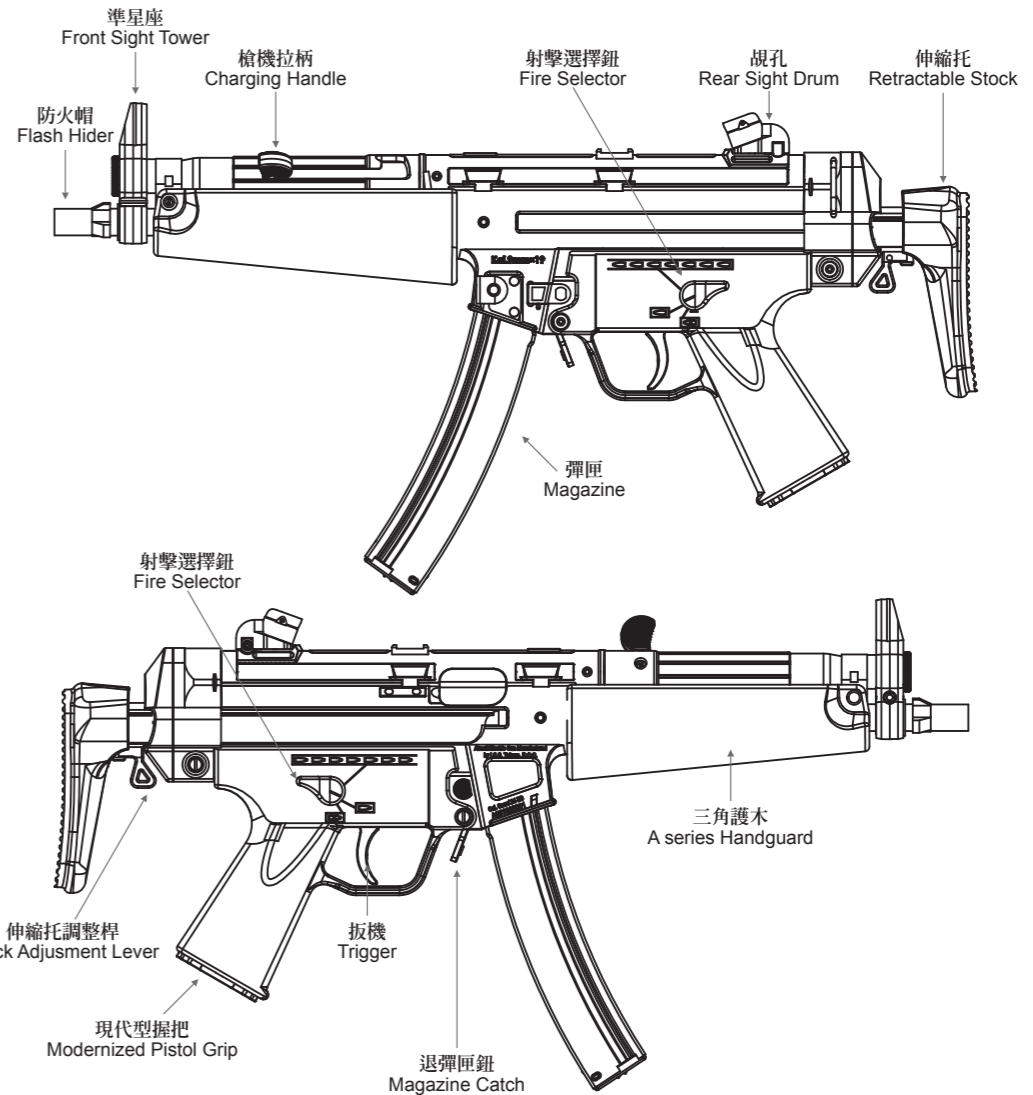
WARNING 警告 電槍使用之注意事項 Maintenance

- 請勿使用劣質或回收BB彈，以減少槍管損耗及避免卡彈。
- 一旦發生卡彈或射擊速度降低時，應立即停止射擊，以避免齒輪過度耗損。請使用通槍條將殘彈清除，或被測電池電量後方可繼續使用。
- 不使用本產品時，請務必將射擊選擇鈕置於保險(S)的位置上，將電池移除並定期使用通槍條清潔槍管。
- 請依原廠附贈之保險絲規格使用。不當配置可能導致零件故障，槍內配置M100彈簧請用20A保險絲，M120彈簧請用25A保險絲。
- 彈頭直徑6mm。其槍口動能為二焦耳以下、射程範圍為50公尺以內。
- 適用年齡為18歲以上。
- 使用本商品不得改造或變造，並不得使用金屬彈頭。
- 「此槍非玩具」，濫用可能造成嚴重傷害，尤其是眼睛。使用時應確保保身及射擊範圍內所有人員均已確實穿戴護目鏡。
- 使用方法及注意事項請詳閱說明書內容。
- 建議使用以下電池以達到最大效益：
SSS系統建議使用7.4v & 11.1v Li-Po電池。
傳統電閘與FET電閘系統11.1v Li-Po電池Ready。
※使用非建議電池可能會造成產品效能低落、功能異常甚至損毀。
(原產地：台灣 / 製造商：一芝軒企業有限公司 / 地址：台中市神岡區東洲路79巷67號 / 電話：04-25256461)
- To reduce the abrasion of inner barrel and to avoid BB jam, please do not use inferior or reused BB pellets.
- If your gun is jammed or the muzzle velocity has decreased, please stop shooting immediately in case the gear abrades excessively. Use the clearing rod to clear out the remaining pellets, or check your battery power before continue using your gun.
- Please engage the safety, dismount the battery and clear the inner barrel with the clearing rod periodically when not using this product.
- Please use the same fuse specification as the original one. Equipping improper fuse might cause malfunction to the components. Apply 20A fuse if the gun using a M100 spring; apply 25A fuse if using M120 spring.
- The diameter of the BB pellet is 6mm. The muzzle energy is less than two joules, and the shooting range is within 50 meters.
- The recommended age to operate this product is 18 years old and above.
- Modify, reform, and using metal bullets on this product are strictly forbidden.
- This is NOT a toy. Abusing might cause severe injuries, especially to the eyes. Before operating, please make sure that every personnel in the shooting range have worn eye protections properly, including the operator.
- Please read the manual for instruction and precaution.
- In order to achieve the maximum performance, the following batteries are recommended:
SSS system: 7.4v or 11.1v Li-Po batteries.
Traditional switch and FET switch system: 11.1v Li-Po battery Ready.
※Using non-recommended batteries may cause poor performance, abnormal functions or even damage to the product.
Origin: Taiwan/ Manufacturer: ICS enterprise Co., Ltd / Address: No.67, Ln. 79, Dongzhou Rd., Shengang Dist., Taichung City 429, Taiwan / TEL : (+886) 4-2525-6461



1

各部名稱 Series Component



相關系列產品型號與詳細規格，請以官方網站公布為主。
For related series product models and detailed specifications, please refer to the official website.

2

彈匣使用方式 Magazine Attachment

2-1 裝BB彈方式 Load BBs

將彈匣上蓋依箭頭方向打開再倒入BB彈。
Open the cover to load BBs.

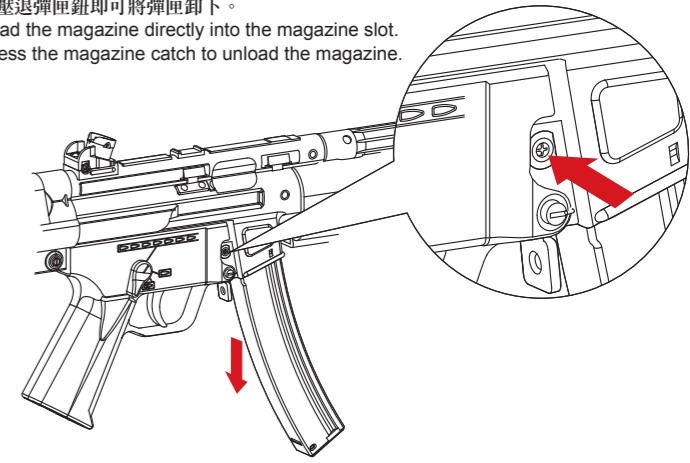
建議使用 6mm BB彈。
6mm caliber BBs are recommended for optimum performance.

依箭頭方向旋緊彈匣底旋鈕，即可將BB彈順利送出。
To charge BB feed spring, please rotate the gear under the magazine.



2-2 裝卸彈匣 Magazine Loading and Unloading

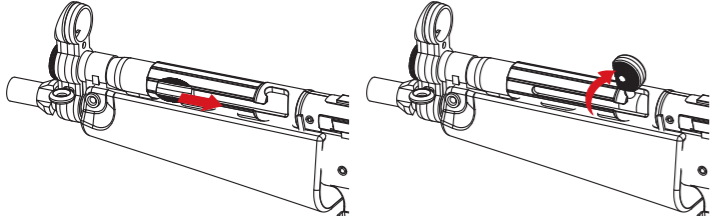
- 直接將彈匣插入彈匣插槽。
- 按壓退彈匣鈕即可將彈匣卸下。



3 可動部的說明 Movable Parts

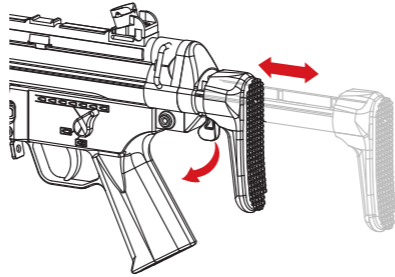
3-1 槍機拉柄操作 Charging Handle

- 將槍機拉柄向後拉至底。
Pull the charging handle back to the end of the groove.
- 將槍機拉柄向上扳即可固定。
Push the charging handle upward to hold.



3-2 伸縮托調整 Retractable Stock Adjustment

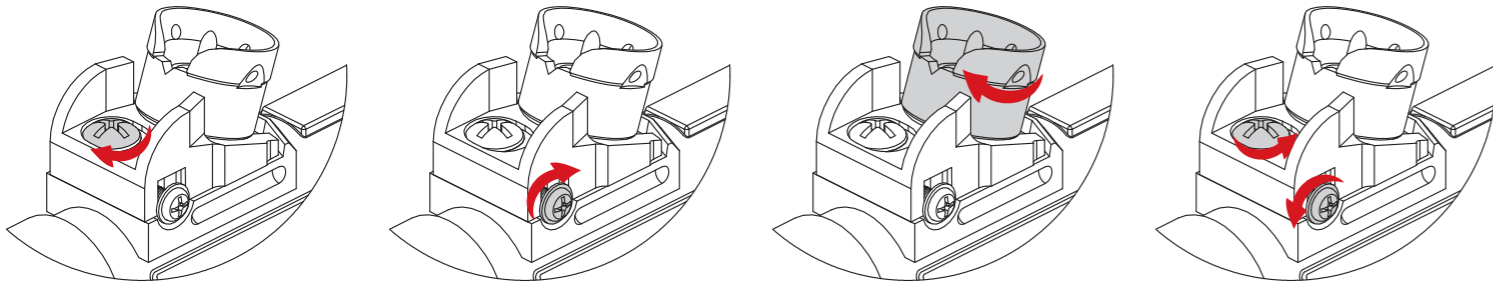
將伸縮托調整桿向外撥，伸縮托即可前後調整。
Push the Stock Adjustment Lever to your left and hold to extend or shorten the stock.



4 精確射擊調整動作 Precision Targeting Adjustment

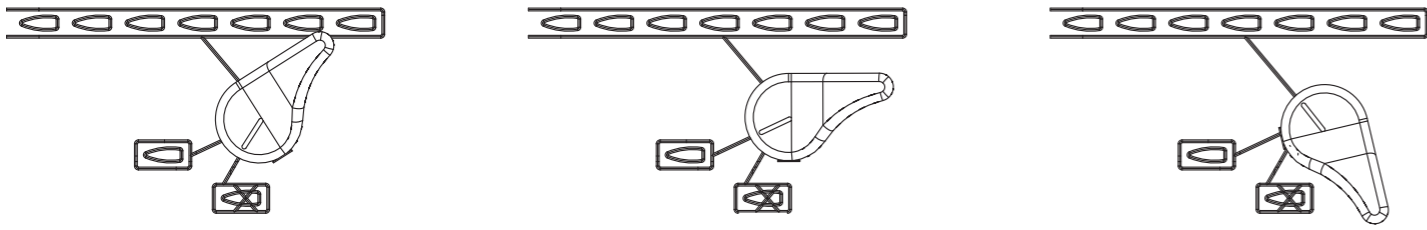
4-1 視孔調整 Rear Sight Adjustment

- 將固定螺絲旋開。
Loosen the rear sight fixing screw.
- 視需要調整螺絲使視孔左右移動。
Adjust the adjusting screw to adjust the sight towards left or right per your demand.
- 旋轉視孔調整視孔高度。
Rotate the sight drum to adjust the height of the sight.
- 調整完畢後再將螺絲鎖緊。
Screw the fixing screw to fix after you finish adjusting.



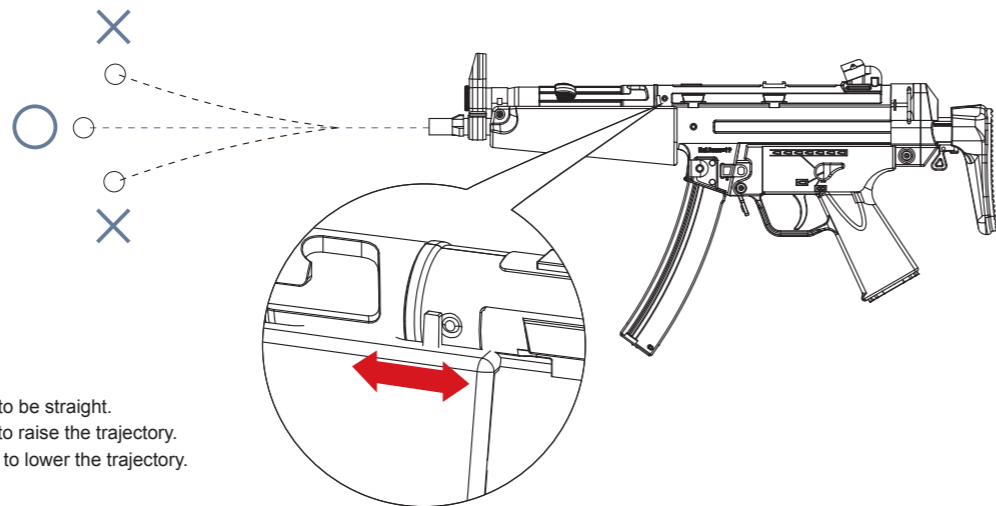
4-2 選擇射擊模式 Shooting Mode Setting

- 保險
Safe
- 單發
Semi
- 連發
Auto



5 H-UP 彈道調整 H-UP Adjustment

H-UP調整：BB彈呈現一直線的彈道才是正確射法。
過於上飄：將撥片往後拉。
過於下墜：將撥片往前推。
H-up Adjustment: Make sure the trajectory of the BB pellets to be straight.
When the BB pellet flies up: Push the H-UP lever backward to raise the trajectory.
When the BB pellet falls down: Push the H-UP lever forward to lower the trajectory.



6 電池的拆裝方法 Battery Installation and Disassembly

注意 CAUTION 重新組裝時，必須依反向動作組合

※ Reassembling is the reverse of disassembling procedures.

ICS-01 / ICS-03

- 將槍托底板向下壓後拉出。
Push the butt plate downward and pull to remove.
 - 將電池接頭向外拉出。
Pull out the battery connector.
- 將電池接頭固定好後放入槍托內，再把槍托底板固定至定位。
Plug in the battery, put the battery into the stock, and reassemble the butt plate.

ICS-02 / ICS-04

- 把護木固定銷拉出。
Pull out the handguard pin.
 - 將護木向前推出以取下。
Push the handguard forward to remove it.
- 將電池接頭固定好後，再把護木固定至定位。
Plug in the battery, then reassemble the handguard and the pin.

7 齒輪箱拆解 Disassemble Gearbox

注意 CAUTION 先卸彈匣跟電池，再進行拆解

※ Unload the magazine and battery before you proceed to disassemble.

- 將後槍身結合銷旋開取下後，再把伸縮托整組拉出。
Remove the rear receiver pin, then disassemble the retractable stock assembly.
- 將前槍身結合銷旋開取下。
Remove the front receiver pin.
- 將下槍身組往後取出，分離上下槍身。
Remove the lower receiver by pulling it backward to separate the upper and lower receivers..
- 旋開馬達底蓋螺絲，將馬達底蓋及馬達卸下。
Unscrew and remove both motor butt plate and the motor.
- 旋開選擇鈕螺絲再把選擇鈕卸下，將另一側選擇鈕彈簧及固定座依序卸下。
Unscrew the fire selector and remove the selector spring and the mount on the other side accordingly.
- 向上將下齒輪箱取出。
Remove the lower gearbox by pulling it upward.