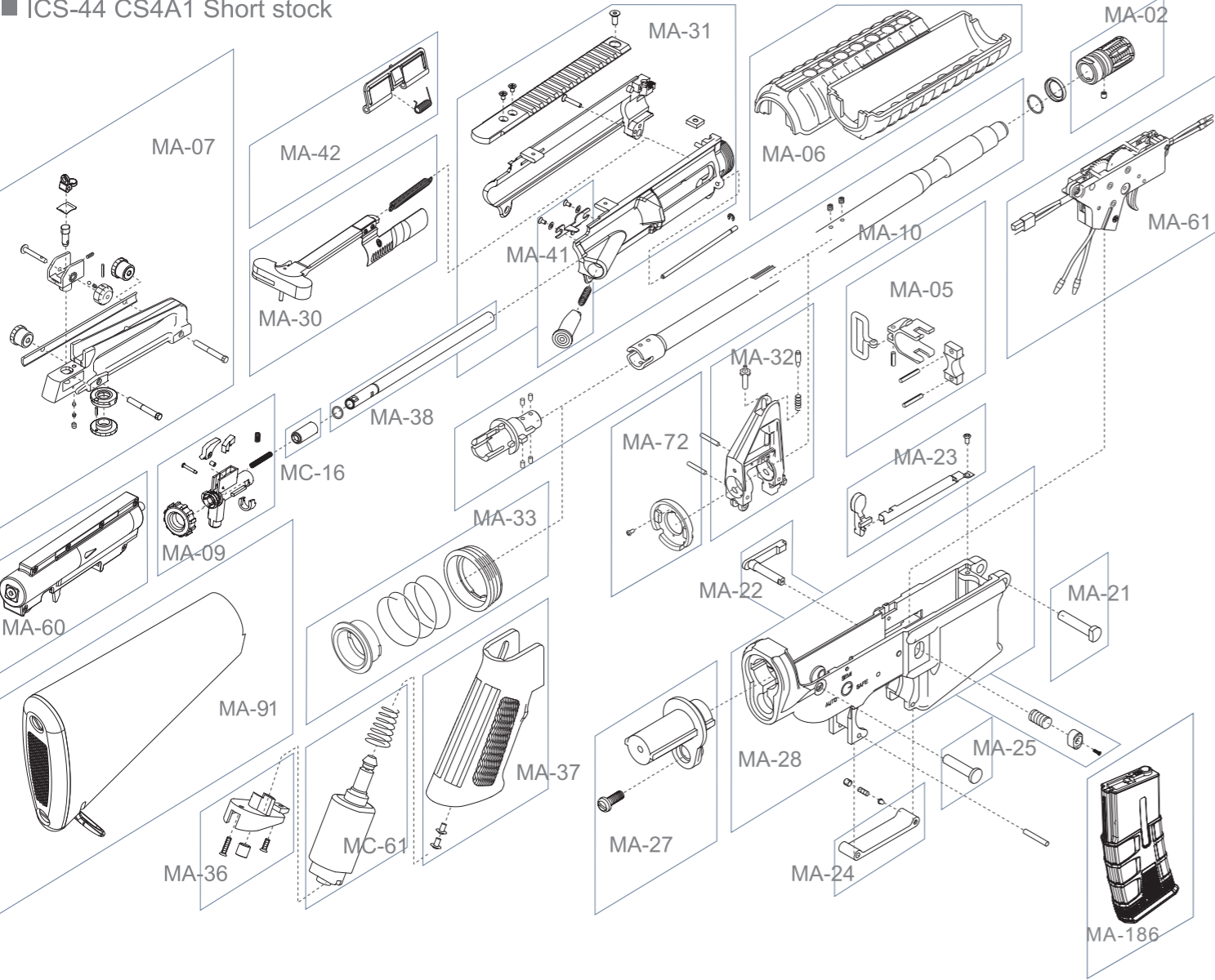


8 各部零件說明 Description

ICS-44 CS4A1 Short stock



*每一款槍型基本配備不同依實際出貨為主。圖片僅供參考。
The components/accessories for each model may have kind of differences depending on the actual goods. Images are only for reference.

Patents acquired: R.O.C. M244431 / US7077117B1 / R.O.C. D159178 / USD706880S / EM002246579-0001 / R.O.C. M320468

WARNING 警告 電槍使用之注意事項 Maintenance

- 請勿使用回收及劣質的 BB 彈，以減少槍管損耗與避免卡彈的情形發生。
- 如發現有卡彈的情形，應立即停止射擊，如卡彈後再勉強射擊，則會增加齒輪損耗。請使用內附通槍棒，將卡彈清除後才可繼續使用。若完成通槍基本故障排除後仍無法使用時，請回原採購店家或專業經銷商尋求維修服務。
- 使用前請先確定您的電池已充滿電，當使用中發覺電池即將用盡或射擊速度降低時，應立即更換電池。
- 請定期使用通槍棒清潔槍管，以保持槍支射擊時的準確性及減少卡彈的情形發生。
- 請勿經常空槍射擊，以減少BOX及齒輪不必要的損耗。
- 不使用本產品時請移除電池，以避免誤觸擊發。
- 請依照原廠附贈之保險絲規格使用，不當配置可能導致零件故障，槍內配置M100彈簧時請使用20A保險絲，M120彈簧時請使用25A保險絲。使用前請務必詳閱此說明書限18歲以上使用。Always read through this manual before operation. User restricted to 18 years of age or older.



WWW.ICSB.COM

1 各部名稱 component names



ICS-120 Proline



ICS-46 Sportline



ICS-29 Proline



ICS-44 Sportline



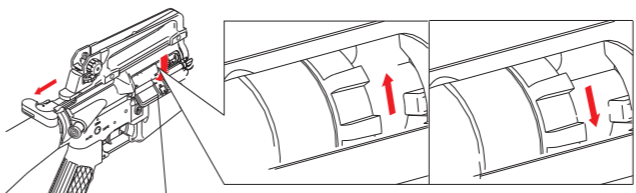
ICS-147 Sportline



ICS-43 Sportline

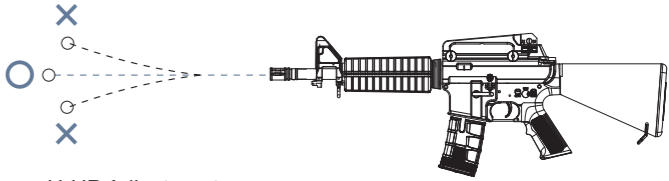
2 H-UP彈道調整 H-UP adjustment

- 調整撥盤向上使子彈下降
1. Rotate the dial counter-clockwise to make the pellet go down.
- 調整撥盤向下使子彈上升
2. Rotate the dial clockwise to make the pellet go up.



將槍機拉柄往後拉，防塵蓋即可打開。
Pull the charging handle backward to open the ejection cover for H-UP adjustment.

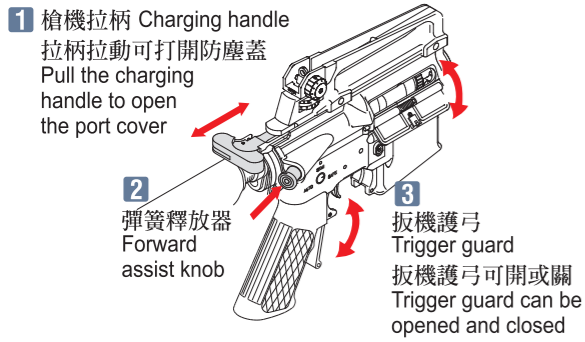
H-UP調整：
子彈過於上飄，請調整撥盤向上旋轉。子彈過於下墜，請調整撥盤向下旋轉。BB彈呈現一直線的彈道才是正確射法。



H-UP Adjustment:
When the BB pellet rises up, rotate the dial counter-clockwise to lower trajectory down. When the BB pellet falls down, rotate the dial clockwise to raise the trajectory up. Make sure the trajectory of BB pellet to be straight.

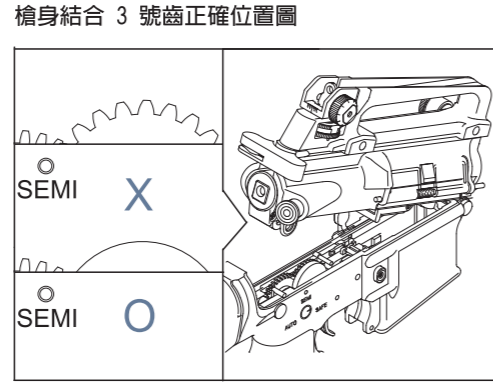
3 可動部的說明 Movable parts

3-1 可作動作 Movable parts



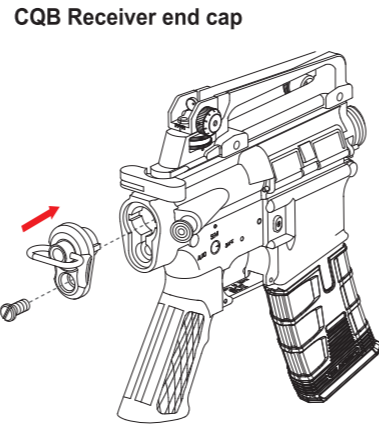
1. 槍枝使用完畢轉至單發狀態下發射 2~3 下後再按彈簧釋放器，可將活塞彈簧回覆至原處。
2. 槍身做分解時，必須先釋放活塞彈簧，才可做分解動作。
1. After playing, fire 2-3 in single position, then push the forward assist knob to release the spring tension before storage.
2. Push the forward assist knob before you assemble the gear box.

3-2 The correct position of No.3 gear before reassembling



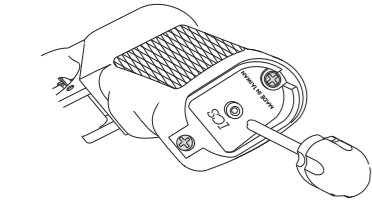
3號齒在槍身結合時，必須轉到正確位置，才可將上槍身蓋下。Make sure No.3 gear is turned to the correct position before you reassemble the receiver/gearbox.

3-3 CQB 槍身後蓋



3-4 馬達間隙調整

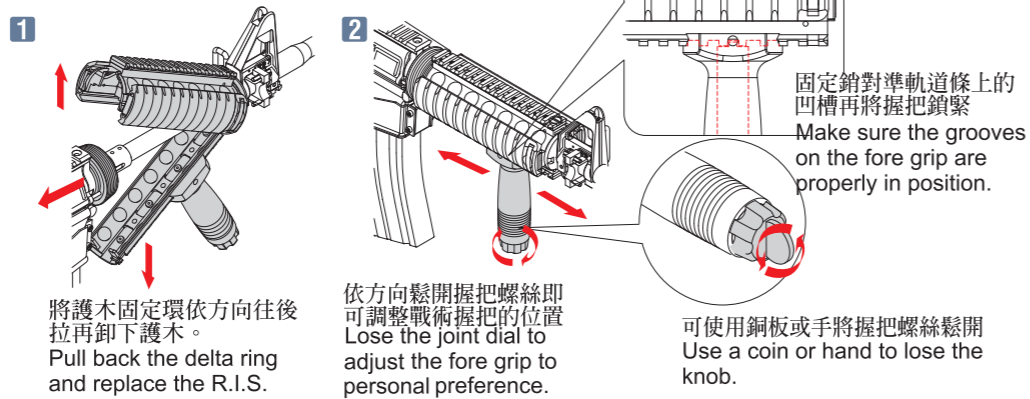
Fine adjustment of gear engagement



用六角板手調整馬達間隙螺絲
(出廠時已調整好)

Adjust the gap between the motor and the gear by an allen key
(Original factory setting is for 9.6v battery)

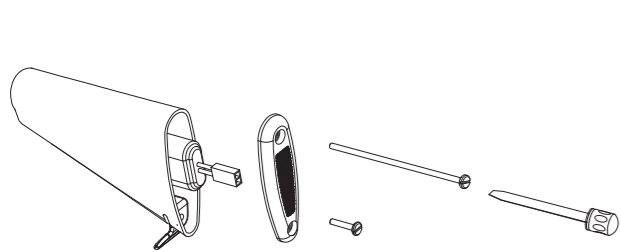
3-5 R.I.S. handguard



4 裝電池方法 Battery fitting method

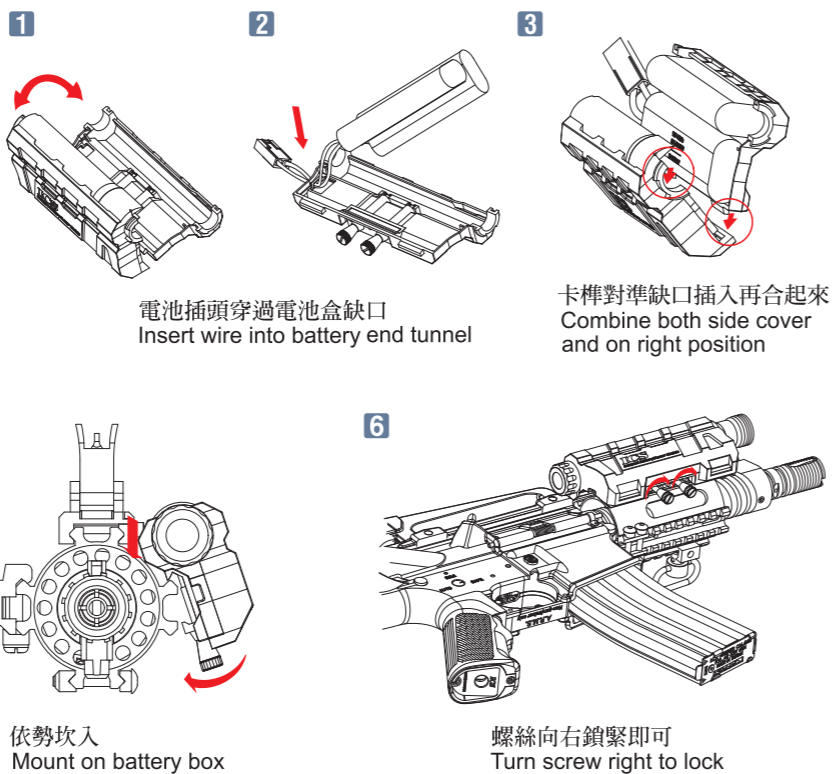
4-1 短固定托安裝方式

Compact short stock



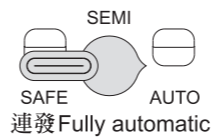
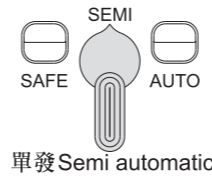
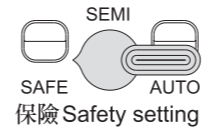
4 將電池盒與槍身線路互插好
Connect battery to the receiver

4-2 電池盒安裝方式 Battery box fitting method

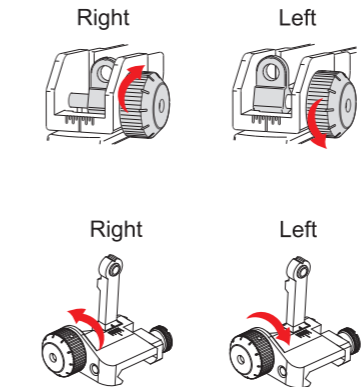


5 精確射擊調整動作 Ironsight adjustment

單連發選擇方式 Selector lever setting

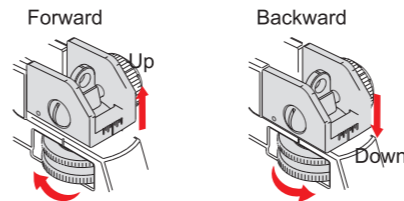


覘孔左右調整 Rear sight left-right adjustment



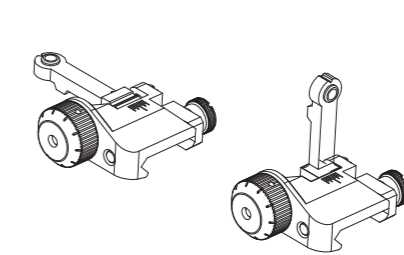
依旋鈕方向旋轉即可將覘孔組左右調整
Turn clockwise to aim right, turn counter clockwise to aim left.

覘孔高度調整 Rear sight up-down adjustment



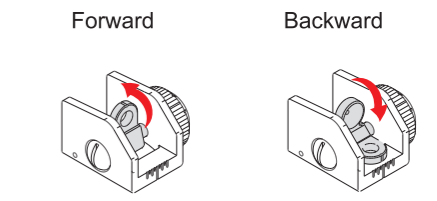
將調整鈕往前轉即可昇高覘孔組，將調整鈕往後轉即可降低覘孔組。
Turn the dial forward to raise the hitting point, Turn the dial backward to lower the hitting point.

覘孔可收回調整 Rear sight on and off



可扳動收回
Can move up to return

精密射擊調整 Rear sight precision targeting adjustment



近距離將覘孔往前推
Common/close-range low-light shooting. Push forward to engage battle sight.

遠距離將覘孔往後推
Precision daylight shooting. Push backward to engage peep hole.

6 彈匣使用方式 Magazine attachment

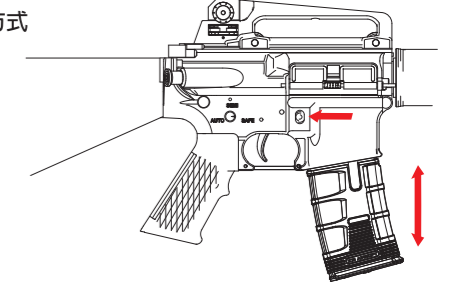
6-1 load BBs 裝BB彈方式

將彈匣上蓋依箭頭方向推開再倒入 B.B. 彈
Open the cover to load BBs. Please use ICS 6mm caliber BBs for optimum Performance.



6-2 彈匣上下方式 Magazine loading and unloading

按下彈匣卡榫即可將彈匣裝入或拆下
Press the magazine release lever to load or unload the magazine.

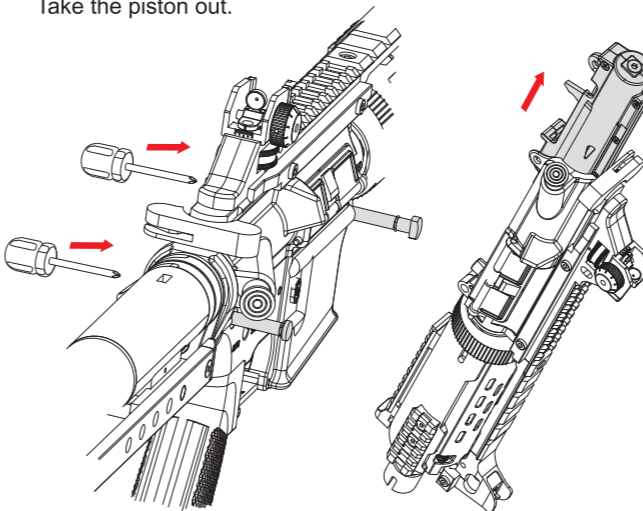


7 齒輪箱拆解 Disassemble Gear-box

7-1 Remove the upper Gearbox 上槍身拆卸

注意 CAUTION ※重新組裝時，必須依反向動作組合
Reassembly is the reverse of disassemblys procedures.

- 使用起子依方向將槍身結合銷推出即可打開上槍身
To open upper receiver, use a screwdriver to push out frame lock pins.
- 拆下活塞組
Take the piston out.



7-2 Remove the lower Gearbox 下槍身拆卸

- 旋開馬達底蓋螺絲
Take out the screws on the plate.
- 將馬達拆下
Take the motor out.
- 旋開握把內螺絲
Take out inner screw in the pistol grip.
- 旋開線槽螺絲
Take out the screw of wire from concavity.
- 將下Box取出
Remove the gearbox
- 旋開彈匣卡榫螺絲
Take out magazine release lever.