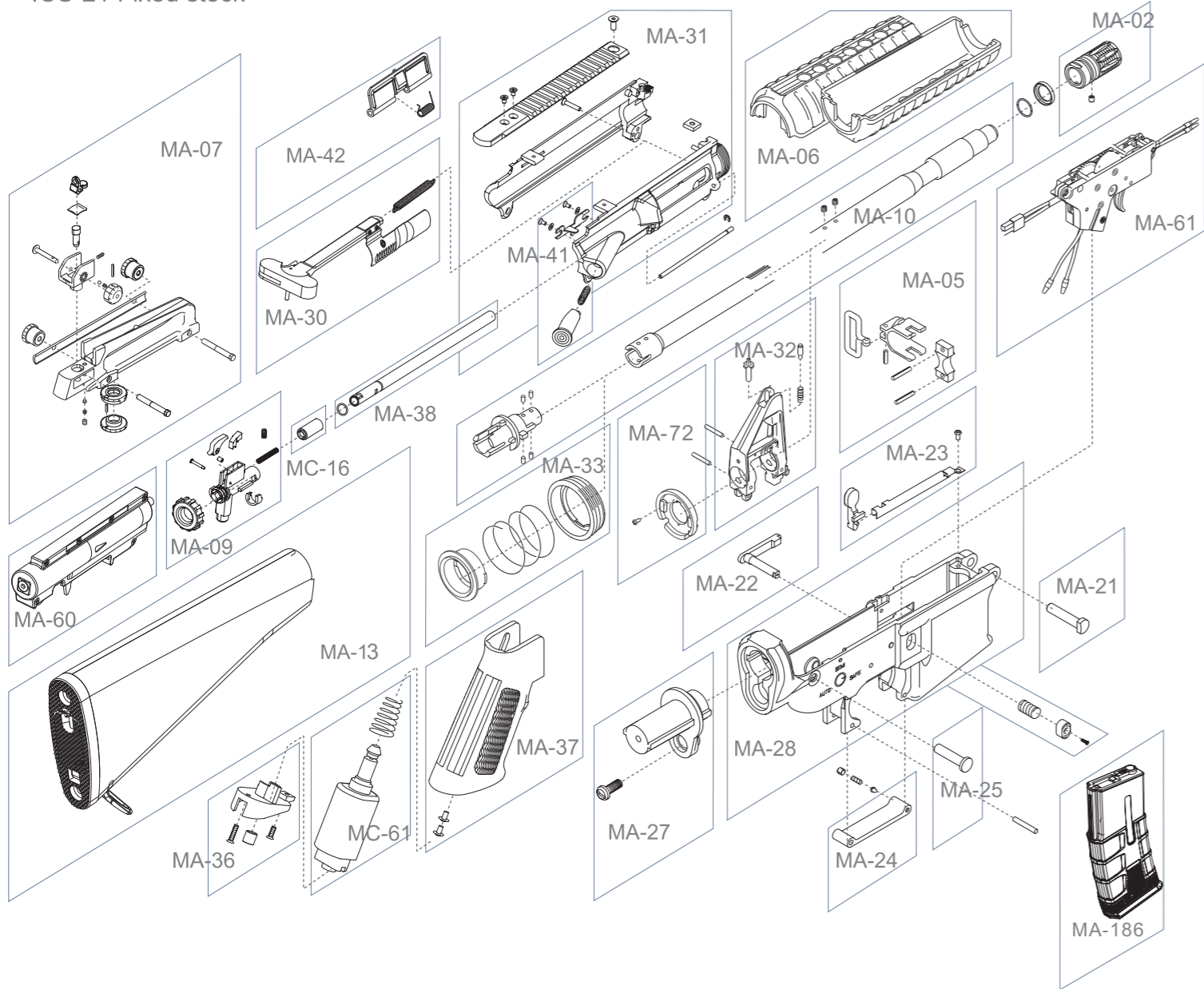


11 各部零件說明 Description

ICS-21 Fixed stock



*每一款槍型基本配備不同依實際出貨為主。圖片僅供參考。
The components/accessories for each model may have kind of differences depending on the actual goods. Images are only for reference.

Patents acquired: R.O.C. M244431 / US7077117B1 / R.O.C. D159178 / USD706880S / EM002246579-0001 / R.O.C. M320468

WARNING 警告 電槍使用之注意事項 Maintenance

- 請勿使用回收及劣質的 BB 彈，以減少槍管損耗與避免卡彈的情形發生。
 - 如發現有卡彈的情形，應立即停止射擊，如卡彈後再勉強射擊，則會增加齒輪損耗。請使用內附通槍條，將卡彈清除後才可繼續使用。若完成通槍基本故障排除後仍無法使用時，請回原採購店家或專業經銷商尋求維修服務。
 - 使用前請先確定您的電池已充滿電，當使用中發覺電池即將用盡或射擊速度降低時，應立即更換電池。
 - 請定期使用通槍條清潔槍管，以保持槍支射擊時的準確性及減少卡彈的情形發生。
 - 請勿經常空槍射擊，以減少BOX及齒輪不必要的損耗。
- Do not use recycle or low quality BB pellets to reduce the barrel damage and prevent from jams.
- When a BB pellet is jammed, cease fire immediately. Firing under jam may cause damage on gears. Please use the cleaning rod that came with your airsoft gun to push it into the barrel by moving down gently until the jammed BB pellet comes out. If the jam still cannot be solved, please contact your original purchase retailer or ask for professional agent for repair service.
- Note: No need to remove the barrel when eliminating jam.
- Please make sure the battery is fully charged before using. When the battery is run out or firing speed is decreasing, new battery has to be replaced immediately.
- Please use cleaning rod periodically to clean the barrel to ensure the firing precision and reduce jam.
- Do not dry fire the airsoft gun at any time to reduce damage to the gearbox.
- 使用前請務必詳閱此說明書限18歲以上使用
Always read through this manual before operation.
User restricted to 18 years of age or older.



WWW.ICSB.COM

1 各部名稱 component names

ICS-23 Proline



ICS-45 Sportline

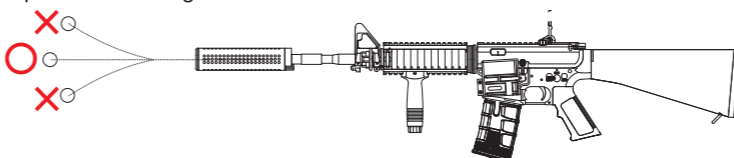


2 H-UP彈道調整 H-UP adjustment

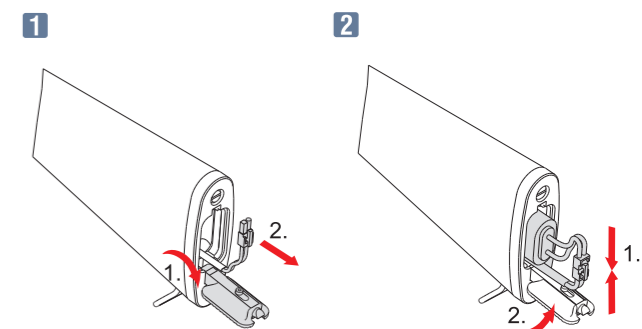
將槍機拉柄往後拉，防塵蓋即可打開。
Pull the charging handle backward to open the ejection cover for H-UP adjustment.

H-UP調整：
子彈過於上飄，請調整撥盤向上旋轉。
子彈過於下墜，請調整撥盤向下旋轉。
BB 彈呈現一直線的彈道才是正確射法。

H-UP Adjustment:
When the BB pellet rises up, rotate the dial counter-clockwise to lower trajectory down. When the BB pellet falls down, rotate the dial clockwise to raise the trajectory up. Make sure the trajectory of BB pellet to be straight.



3 裝電池方法 Battery fitting method 固定托安裝方式 Compact stock

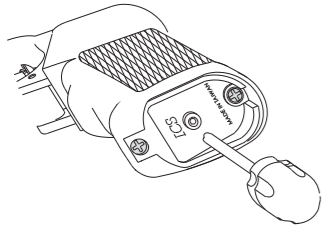


將槍托底蓋打開再拉出電線
Lower the buttplate latch with your fingernail and open the cover.
Pull out the connector.

將電池裝入接上電線定位好，再蓋上槍托底蓋
Insert battery into stock as shown and connect the battery in place. Close the cover properly.

4 可動部的說明 Movable parts

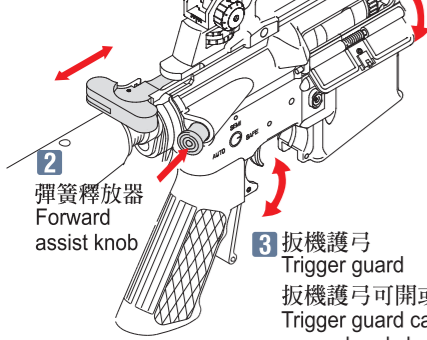
4-1 馬達間隙調整 Fine adjustment of gear engagement



用六角板手調整馬達間隙螺絲 (出廠時已調整好)
Adjust the gap between the motor and the gear by an allen key (Original factory setting is for 9.6v battery)

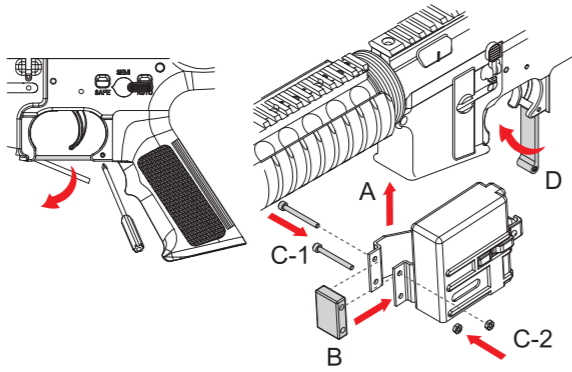
4-2 可作動作 Movable parts

1 槍機拉柄 Charging handle
拉柄拉動可打開防塵蓋
Pull the charging handle to open the port cover



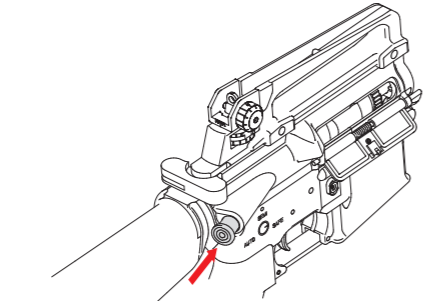
2 彈簧釋放器 Forward assist knob
3 扳機護弓 Trigger guard
扳機護弓可開或關
Trigger guard can be opened and closed

5 彈匣預備槽裝法 Attaching the ready magazine system



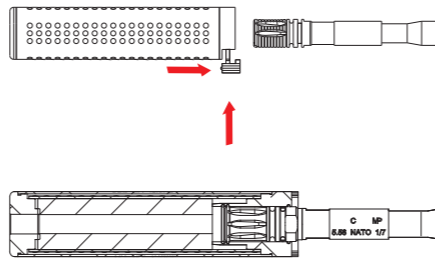
1. 用小起子將板機護弓卡榫向內壓後將板機護弓卸下，
2. 再依圖示逐一將螺絲鎖上
1. Use a small screw drive and push the pin inside-out, to take down the trigger guard.
2. Then lock up the screw as per the drawing.

4-3 止逆轉釋放鈕 Forward assist knob



1. 槍枝使用完畢轉至單發狀態下發射2~3下後再按彈簧釋放器，可將活塞彈簧回覆至原處。
2. 槍身做分解時，必須先釋放活塞彈簧，才可做分解動作。
1. After playing, fire 2-3 in single position, then push the forward assist knob to release the spring tension before storage.
2. Push the forward assist knob before you assemble the gear box.

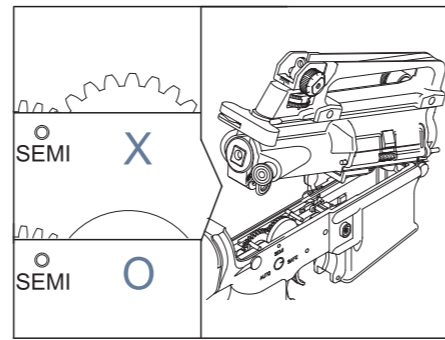
6 QD滅音管裝法 Attaching the QD silencer



依方向將滅音管固定於防火帽上再將固定卡榫對準防火帽上第二個凹槽，即可固定住
Attach the QD silencer to birdage flash hider and make the locking pin hook to the second groove.

4-4 The correct position of No.3 gear before reassembling

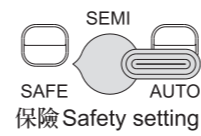
槍身結合 3 號齒正確位置圖



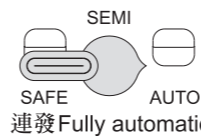
3號齒在槍身結合時，必須轉到正確位置，才可將上槍身蓋下。Make sure No.3 gear is turned to the correct position before you reassemble the receiver/gearbox.

8 精確射擊調整動作 Ironsight adjustment

單連發選擇方式 Selector lever setting

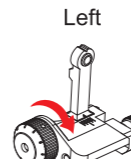
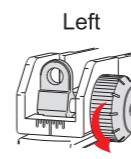
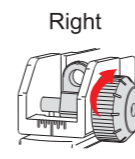


單發 Semi automatic



連發 Fully automatic

覘孔左右調整 Rear sight left-right adjustment



依旋鈕方向旋轉即可將覘孔組左右調整
Turn clockwise to aim right, turn counter clockwise to aim left.

9 彈匣使用方式 Magazine attachment

9-1 load BBs 裝BB彈方式

將彈匣上蓋依箭頭方向推開再倒入B.B.彈
Open the cover to load BBs. Please use ICS 6mm caliber BBs for optimum Performance.

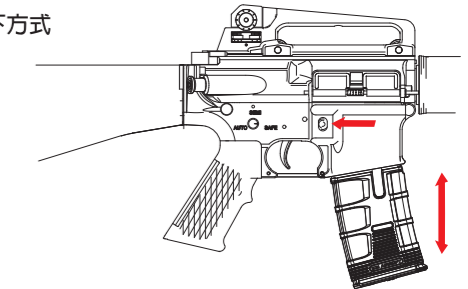


建議使用ICS 6mm BB彈
Suggest to ICS 6mm BBs

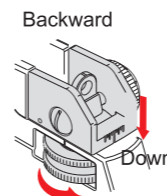
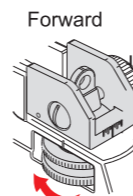
依箭頭方向旋緊彈匣底下旋鈕，即可將B.B.彈順利送出。
To charge BB feed spring, please wind magazine.

9-2 彈匣上下方式 Magazine loading and unloading

按下彈匣卡榫即可將彈匣裝入或拆下
Press the magazine release lever to load or unload the magazine.

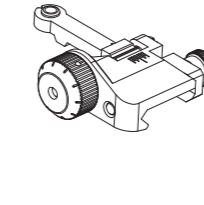


覘孔高度調整 Rear sight up-down adjustment



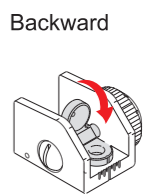
將調整鈕往前轉即可升高覘孔組，將調整鈕往後轉即可降低覘孔組。
Turn the dial forward to raise the hitting point, Turn the dial backward to lower the hitting point.

覘孔可收回調整 Rear sight on and off



可扳動收回
Can move up to return

精密射擊調整 Rear sight precision targeting adjustment

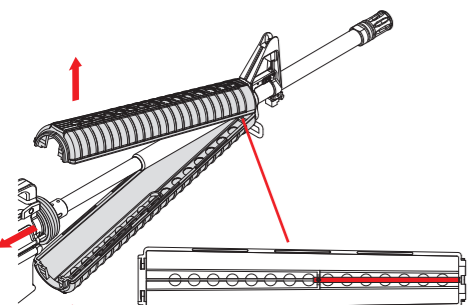


近距離將覘孔往前推
Common/close-range low-light shooting. Push forward to engage battle sight.

遠距離將覘孔往後推
Precision daylight shooting. Push backward to engage peep hole.

7 護木拆裝 Handguard adjustment

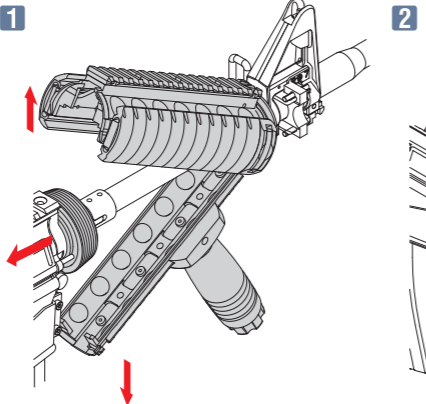
7-1 CS16A3 handguard



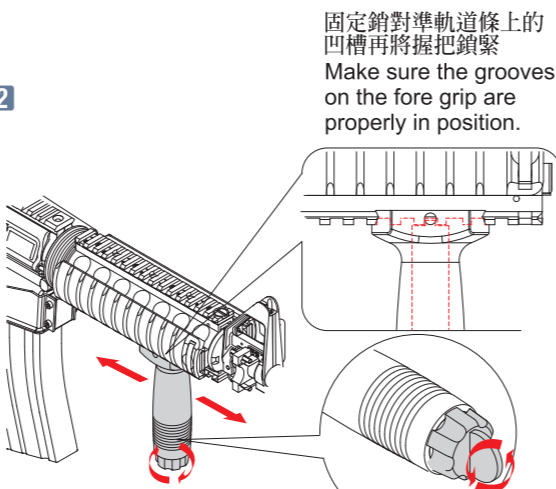
內有金屬管為上護木
The upper handguard has metal tube.

將護木固定環依箭頭方向往後拉即可將護木卸下
Follow the direction as shown, pull back the delta ring to take down the hand guard.

7-2 R.I.S. handguard



將護木固定環依方向往後拉再卸下護木。
Pull back the delta ring and replace the R.I.S.



依方向鬆開握把螺絲即可調整戰術握把的位置
Lose the joint dial to adjust the fore grip to personal preference.

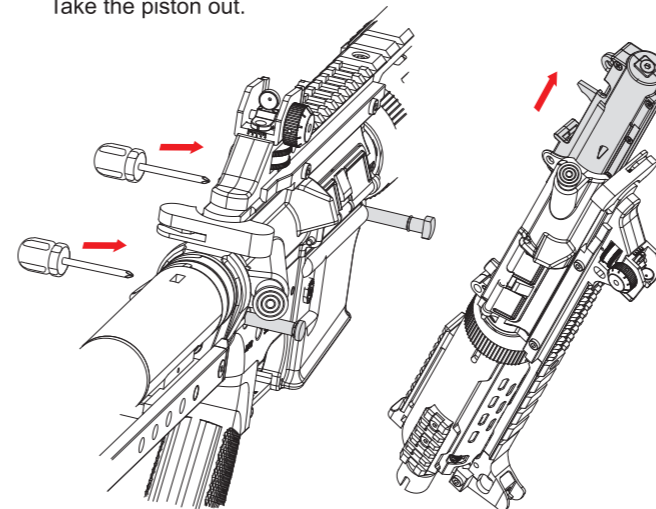
可使用銅板或手將握把螺絲鬆開
Use a coin or hand to lose the knob.

10 齒輪箱拆解 Disassemble Gear-box

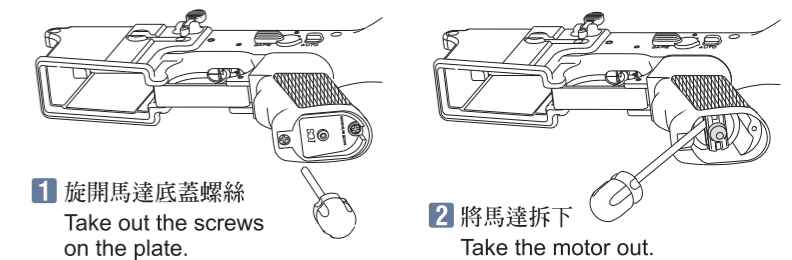
10-1 Remove the upper Gearbox 上槍身拆卸

注意
CAUTION ※重新組裝時，必須依反向動作組合
Reassembly is the reverse of disassemblys procedures.

1 使用起子依方向將槍身結合銷推出即可打開上槍身
To open upper receiver, use a screwdriver to push out frame lock pins.
2 拆下活塞組
Take the piston out.

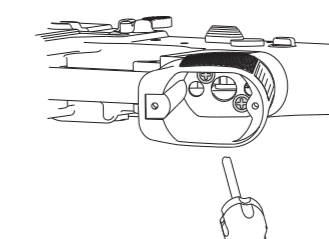


10-2 Remove the lower Gearbox 下槍身拆卸

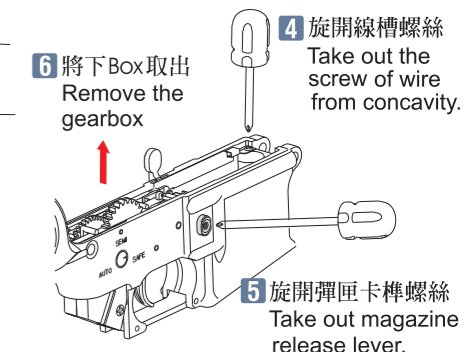


1 旋開馬達底蓋螺絲
Take out the screws on the plate.

2 將馬達拆下
Take the motor out.



3 旋開握把內螺絲
Take out inner screw in the pistol grip.



4 旋開線槽螺絲
Take out the screw of wire from concavity.

5 旋開彈匣卡榫螺絲
Take out magazine release lever.