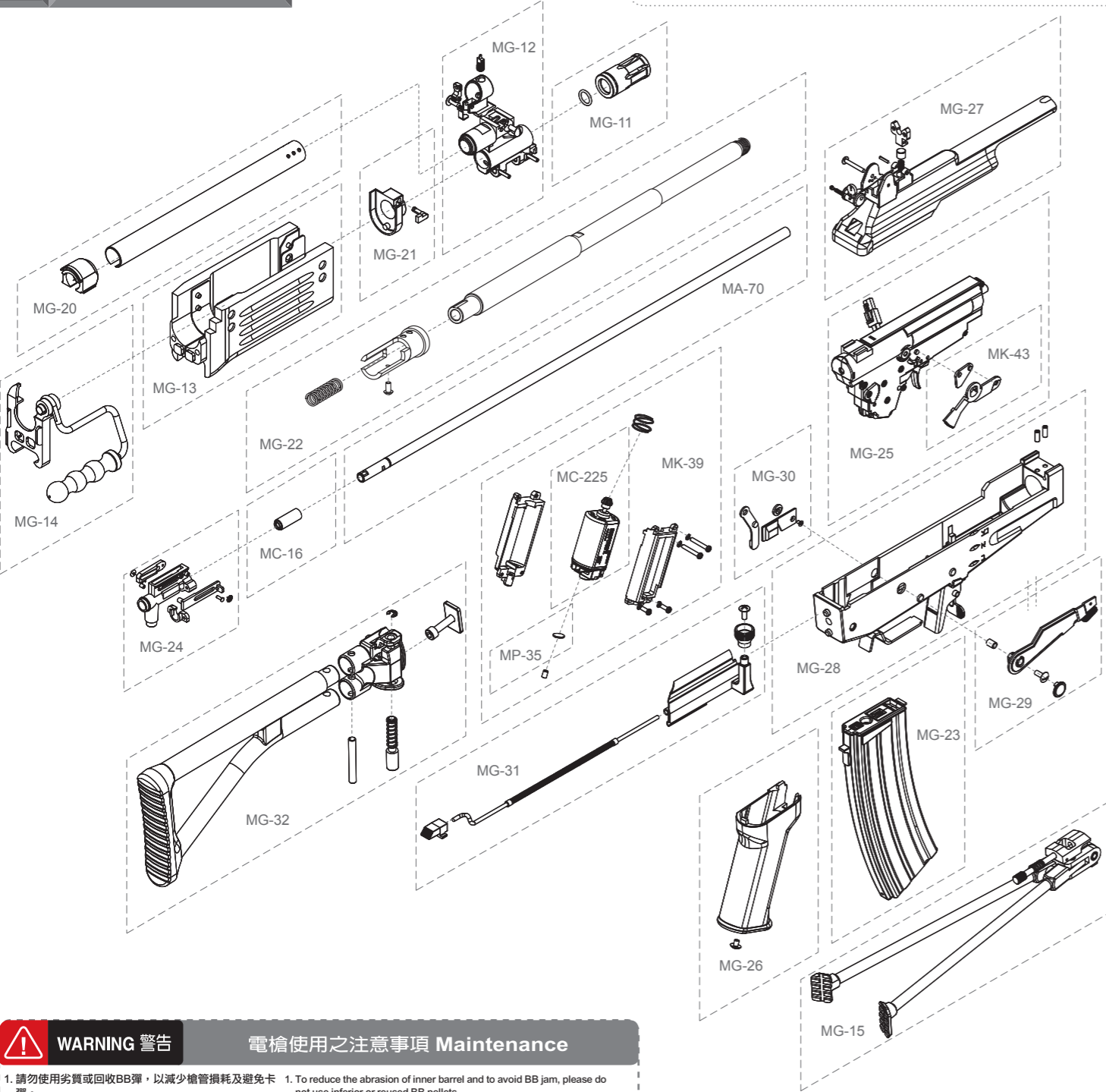


## 8 各部零件說明 Description

ICS-91

\*每一款槍型基本配備不同依實際出貨為主。圖片僅供參考。  
The components/accessories for each model may have kind of differences depending on the actual goods. Images are only for reference.

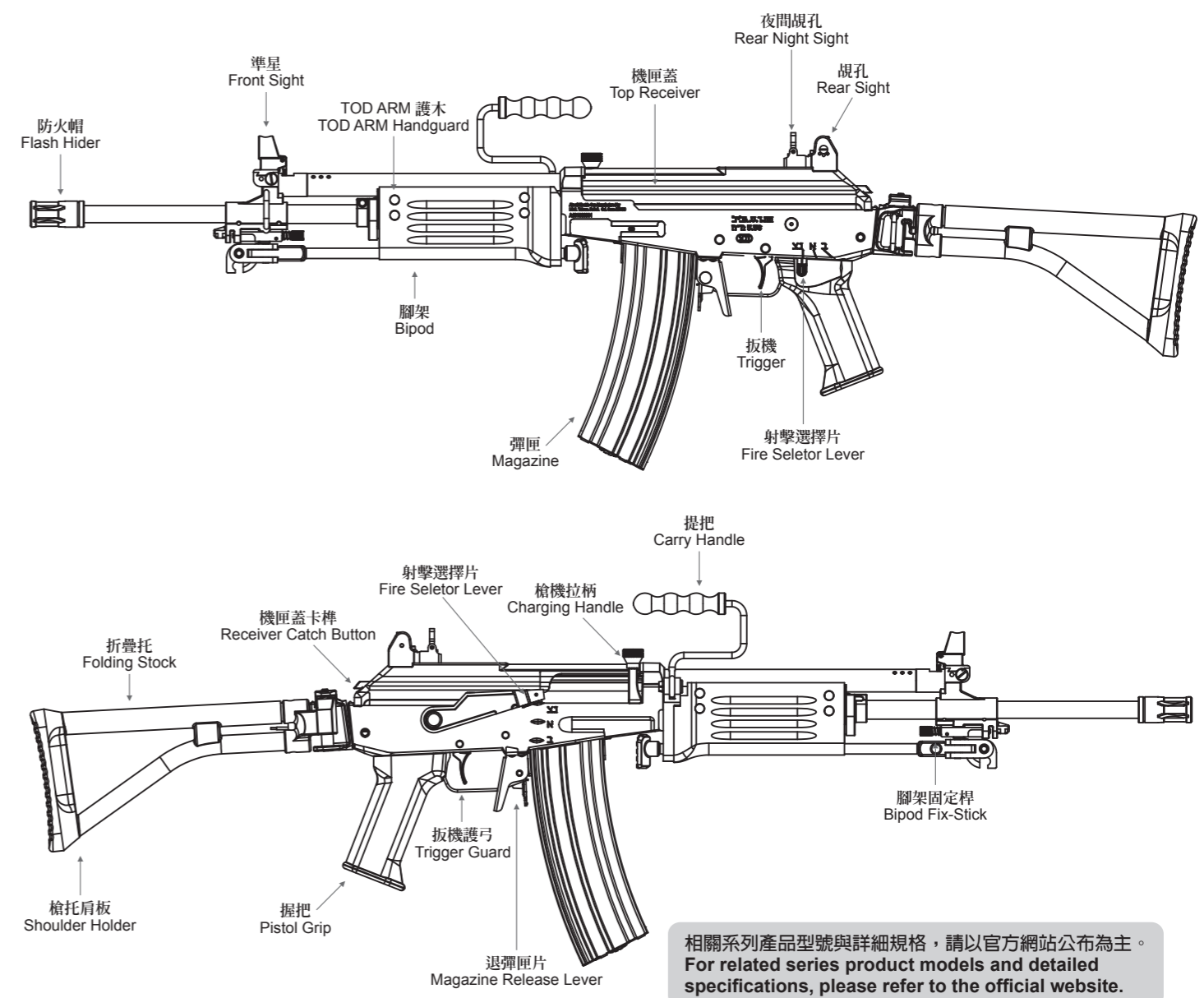


## WARNING 警告 電槍使用之注意事項 Maintenance

- 請勿使用劣質或回收BB彈，以減少槍管損耗及避免卡彈。
- 一旦發生卡彈或射擊速度降低時，應立即停止射擊，以避免齒輪過度耗損。請使用通槍條將殘彈清除，或被測電池電量後方可繼續使用。
- 不使用本產品時，請務必將射擊選擇鈕置於保險(S)的位置上，將電池移除並定期使用通槍條清潔槍管。
- 請依原廠附贈之保險絲規格使用。不當配置可能導致零件故障，槍內配置M100彈簧請用20A保險絲，M120彈簧請用25A保險絲。
- 彈頭直徑6mm。其槍口動能為二焦耳以下、射擊範圍為50公尺以內。
- 適用年齡為18歲以上。
- 使用本商品不得改造或變造，並不得使用金屬彈頭。
- 「此槍非玩具」，濫用可能導致嚴重傷害，尤其是眼睛。使用時應確保保身及射擊範圍內所有人員均已確實穿戴護目鏡。
- 使用方法及注意事項請詳閱說明書內容。
- 建議使用以下電池以達到最大效益：  
SSS系統建議使用7.4v & 11.1v Li-Po電池。  
傳統電阻與FET電阻系統11.1v LiPo電池Ready。  
※使用非建議電池可能會造成產品效能低落、功能異常甚至損毀。  
(原產地：台灣 / 製造商：一芝軒企業有限公司 / 地址：台中市神岡區東洲路79巷67號 / 電話：04-25256461)
- To reduce the abrasion of inner barrel and to avoid BB jam, please do not use inferior or reused BB pellets.
- If your gun is jammed or the muzzle velocity has decreased, please stop shooting immediately in case the gear abrades excessively. Use the clearing rod to clear out the remaining pellets, or check your battery power before continue using your gun.
- Please engage the safety, dismount the battery and clear the inner barrel with the clearing rod periodically when not using this product.
- Please use the same fuse specification as the original one. Equipping improper fuse might cause malfunction to the components. Apply 20A fuse if the gun using a M100 spring; apply 25A fuse if using M120 spring.
- The diameter of the BB pellet is 6mm. The muzzle energy is less than two joules, and the shooting range is within 50 meters.
- The recommended age to operate this product is 18 years old and above.
- Modify, reform, and using metal bullets on this product are strictly forbidden.
- This is NOT a toy. Abusing might cause severe injuries, especially to the eyes. Before operating, please make sure that every personnel in the shooting range have worn eye protections properly, including the operator.
- Please read the manual for instruction and precaution.
- In order to achieve the maximum performance, the following batteries are recommended:  
SSS system: 7.4v or 11.1v Li-Po batteries.  
Traditional switch and FET switch system: 11.1v Li-Po battery Ready.  
※Using non-recommended batteries may cause poor performance, abnormal functions or even damage to the product.  
Origin: Taiwan/ Manufacturer: ICS enterprise Co., Ltd / Address: No.67, Ln. 79, Dongzhou Rd., Shengang Dist., Taichung City 429, Taiwan / TEL : (+886) 4-2525-6461



## 1 各部名稱 Series Component

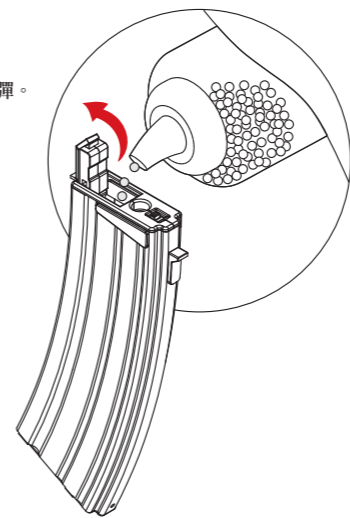


相關系列產品型號與詳細規格，請以官方網站公布為主。  
For related series product models and detailed specifications, please refer to the official website.

## 2 彈匣使用方式 Magazine Attachment

### 2-1 裝BB彈方式 Load BBs

將彈匣上蓋依箭頭方向打開再倒入BB彈。  
Open the cover to load BBs.

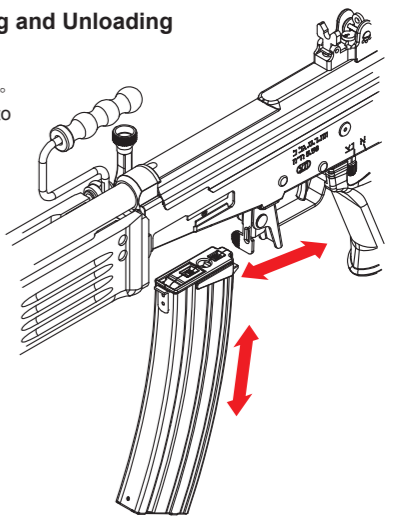


建議使用 6mm BB彈。  
6mm caliber BBs are recommended for optimum performance.

依箭頭方向旋緊彈匣底旋鈕，即可將BB彈順利送出。  
To charge BB feed spring, please rotate the gear under the magazine.

### 2-2 裝卸彈匣 Magazine Loading and Unloading

- 直接將彈匣插入彈匣插槽。
- 按壓退彈匣片即可將彈匣卸下。



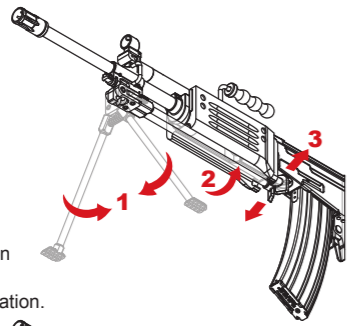


### 3 可動部的說明 Movable Parts

#### 3-1 腳架的操作 Bipod Functions

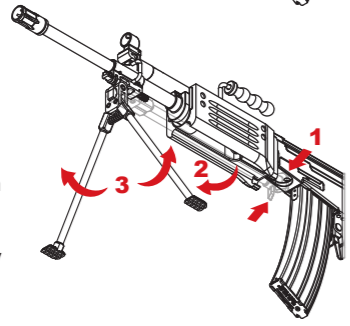
##### 1 腳架收合 To store the Bipod

1. 將腳架合併
  2. 將腳架收折進護木溝槽內
  3. 放開腳架使其微開卡入護木溝槽內
1. Grab the bipod to align them together.
  2. Fold and store the bipod into the indentation under the handguard.
  3. Release the bipod to fix it into the indentation.



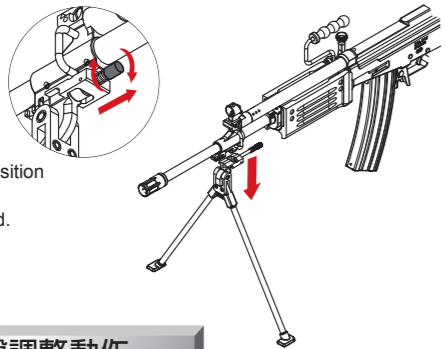
##### 2 腳架佈署 To Deploy the Bipod

1. 將腳架合併脫離護木溝槽
  2. 將腳架往前展開
  3. 到達定位點後腳架可自然伸展開
1. Fold and align the bipod to remove them from the groove.
  2. Push the bipod forward to release.
  3. The bipod will be deployed automatically once you released it.



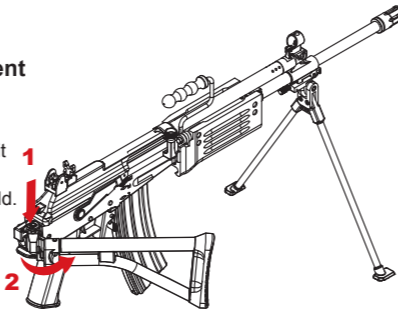
##### 3 腳架拆卸 Detaching the Bipod

1. 先將固定桿轉到定位後並把固定桿往後拉
  2. 往下拉開腳架
1. Release the fixing-stick to position than pull to the end.
  2. Remove the Bipod downward.



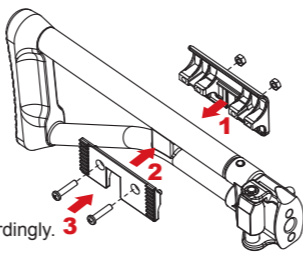
#### 3-2 折疊托調整 Folding Stock Adjustment

1. 將槍托往下按壓脫離卡榫溝槽
  2. 將槍托往逆時針方向即可折疊
1. Press the stock downward to release it from the catch.
  2. Push the stock counterclockwise to fold.

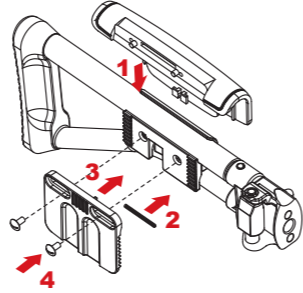


#### 3-3 貼腮安裝方式 Cheek Rest Set

1. 將貼腮夾座卡入槍托。
  2. 將貼腮夾片卡入槍托。
  3. 放入螺絲與螺帽鎖至穩固即可。
1. Mount the cheek rest housing on to the stock.
  2. Assemble the cheek rest plate on to the opposite side of the housing.
  3. Screw and fasten the housing and the plate accordingly.



1. 將貼腮板由上往下組入貼腮夾座。
  2. 將彈簧放入貼腮板溝槽內，並緊貼左側。
  3. 將滑動板由左至右與貼腮板組入後向內壓。
  4. 放入螺絲並鎖至穩固。
  5. 將滑動板向左扳動確認動作是否順暢，如不順暢則稍微放鬆螺絲到滑動板可作動順暢。
1. Assemble the cheek rest plate downward to the housing from the top.
  2. Put the spring into the groove in the cheek plate and keep it stay to the left.
  3. Install the slide plate with the cheek rest plate from left to right, then push it inward.
  4. Screw and fasten the components accordingly.
  5. Push the slide plate to the left to check see if it works fluently. If not, loosen the screw to adjust.

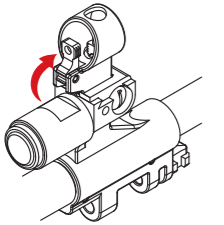


### 4 精確射擊調整動作 Precision Targeting Adjustment

#### 4-1 準星調整 Front Sights Adjustment

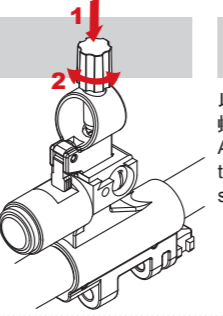
##### A: 切換夜間準星 Engaging night aiming sight

往上扳即可切換。  
Flip up to engage.



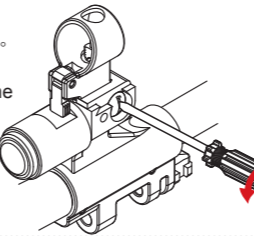
##### B: 準星高度調整 Height adjustment

1. 將準星調整桿壓入
  2. 將調整扭轉左即可升高準星；將調整扭轉右即可降低準星
1. Press the adjustment tool into the front sight.
  2. Rotate counterclockwise to raise, and clockwise to lower the sight.



##### C: 準星左右調整 Windage adjustment

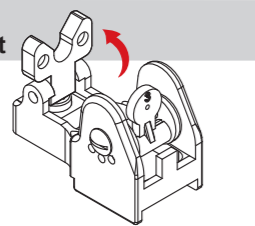
以一字起子將準星調整螺絲轉動即可左右調整。  
Adjust the windage by tuning the screw with the screwdriver.



#### 4-2 覘孔左右調整 Rear Sight Adjustment

##### B: 切換夜間照門 Engaging night aiming sight

將夜間照門往上扳起。  
Flip up to engage.



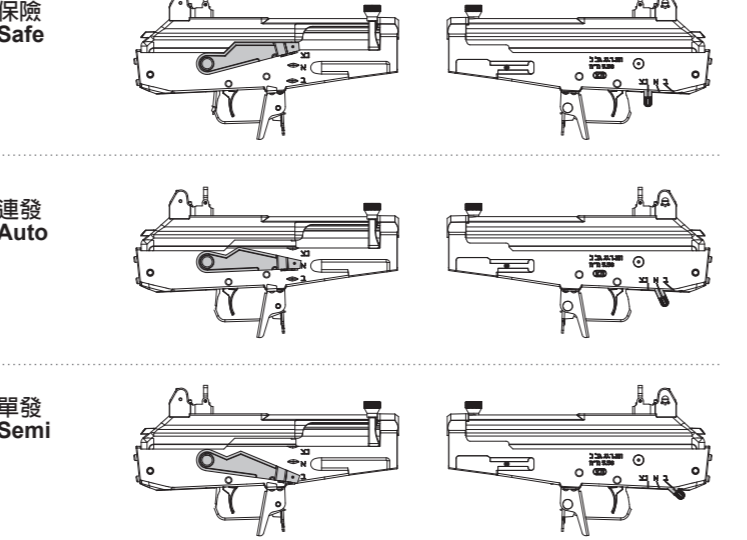
##### A: 瞄準距離遠近調整 Aiming distance adjustment

近距：將覘孔往前推。  
For close range, move sight forward.

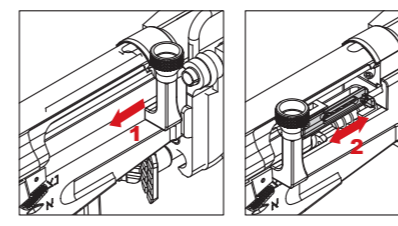
遠距：將覘孔往後推。  
For far range, mover sight backward.



#### 4-3 選擇射擊模式 Shooting Mode Setting

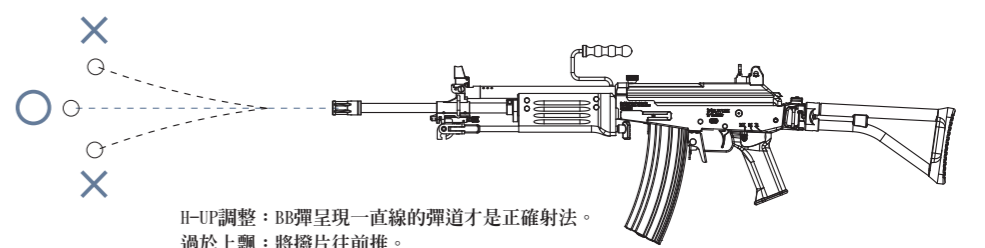


### 5 H-UP 彈道調整 H-UP Adjustment



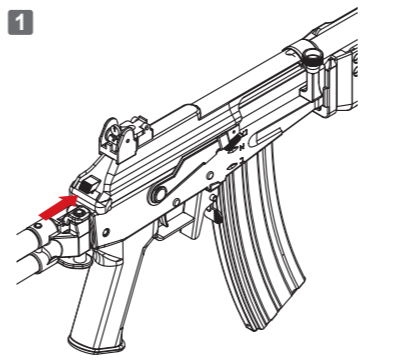
1. 將槍機拉柄往後拉到底不放。
  2. 視彈道進行撥片調整，調整完即可放開槍機拉柄。
1. Pull and hold the charging handle to the end.
  2. Push or pull the H-UP lever to adjust the trajectory.

**注意** 非必要時，手指請勿放置於H-UP調整處，避免受傷。  
※ To avoid injuries, only put your finger on the H-up adjustment when necessary.



H-UP調整：BB彈呈現一直線的彈道才是正確射法。  
過於上飄：將撥片往前推。  
過於下墜：將撥片往後拉。  
H-up Adjustment: Make sure the trajectory of the BB pellets to be straight.  
When the BB pellet flies up: Push the H-UP lever forward to lower the trajectory.  
When the BB pellet falls down: Push the H-UP lever backward to raise the trajectory.

### 6 電池的拆裝方法 Battery Installation and Disassembly

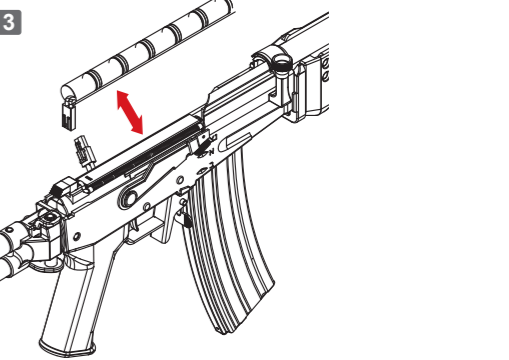


按壓機匣蓋卡榫。  
Press the top receiver catch button.

**注意** 重新組裝時，必須依反向動做組合。  
※ Reassembling is the reverse of disassembling procedures.

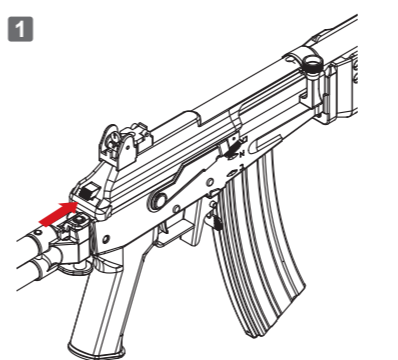


先向上打開再向後卸下機匣蓋。  
Open the top receiver upward, then pull it backward to remove.



即可裝卸電池。  
The battery can be installed or removed accordingly.

### 7 齒輪箱拆解 Disassemble Gearbox

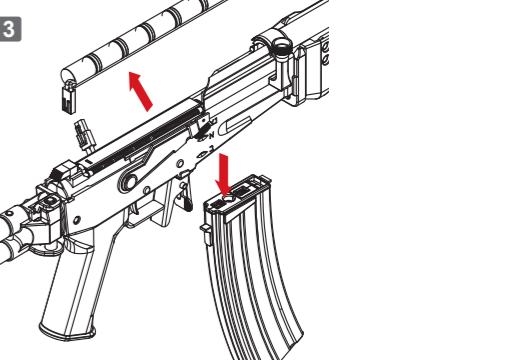


按壓機匣蓋卡榫。  
Press the top receiver catch button.

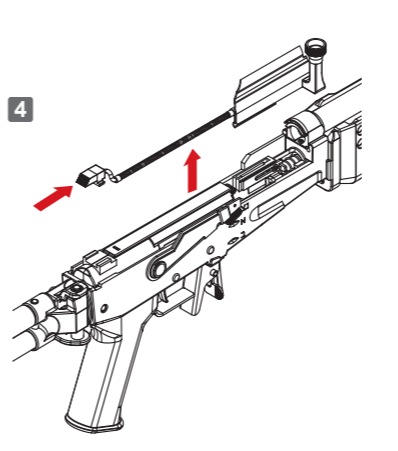
**注意** 先卸彈匣跟電池，再進行拆解。  
※ Unload the magazine and battery before you proceed to disassemble.



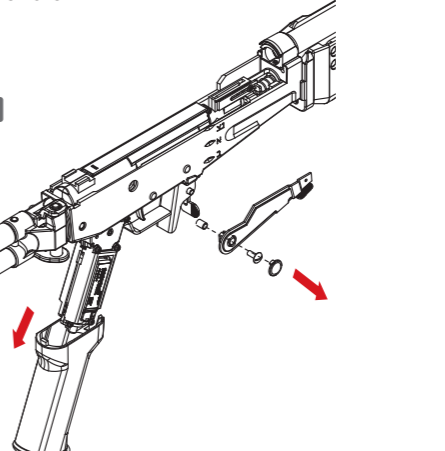
先向上打開再向後卸下機匣蓋。  
Open the top receiver upward, then pull it backward to remove.



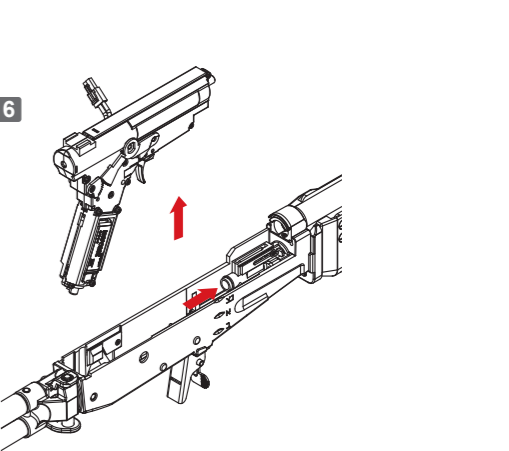
卸下電池與彈匣。  
Remove the battery and magazine.



按壓機匣蓋卡榫並將槍機拉柄卸組下。  
Press the top receiver catch button to remove the charging handle.



卸下握把、射擊選擇桿等零件。  
Remove other parts such as pistol grip, fire selector...etc.



H-UP往前推，即可將齒輪箱取出。  
Push the H-up forward to remove the gearbox.