

Please read the [Instruction Manual] carefully and make full understanding of the details noted in the contents before use.

WARNING

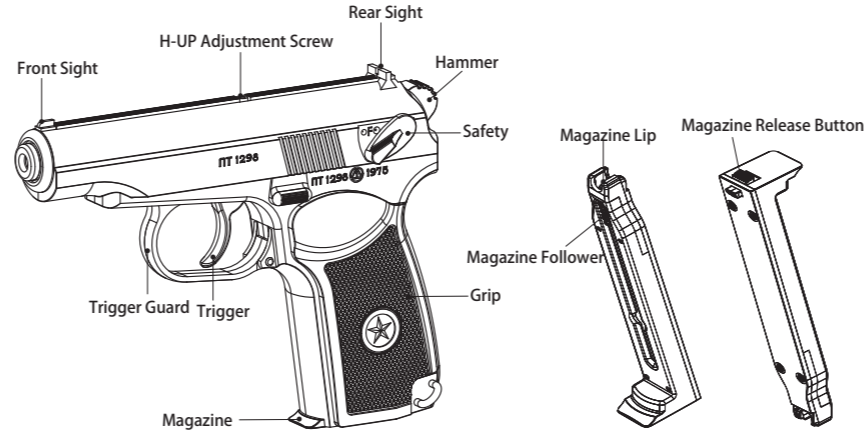
- To avoid damaging the product, please release the gas from the magazines or cartridges while not operating.
- Sales and usage are restricted to 18-year-old people or older. Those below 18 years old are not allowed neither to purchase nor to operate alone.
- Never aim or shoot at people or animals. Please beware of childrens' mis-handling.
- Please read and fully understand all details listed in this instruction manual before using this air gun. You can download it from www.icsbb.com if you lose this instruction manual.



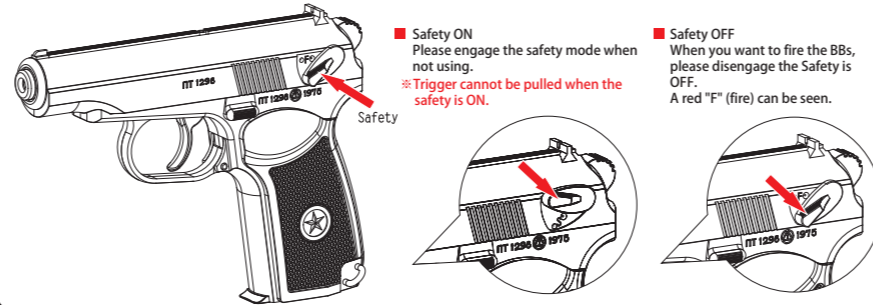
6mm BB



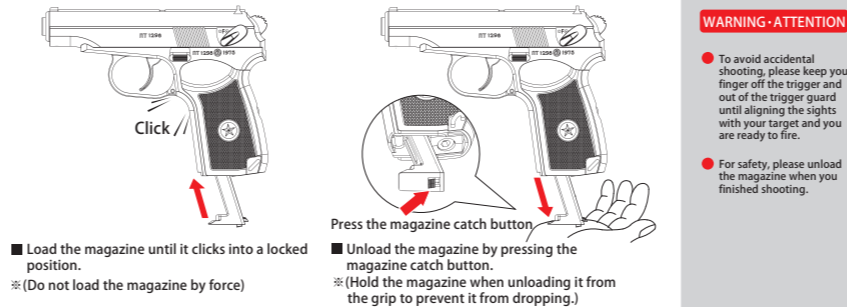
1 PM2 PARTS DESCRIPTION



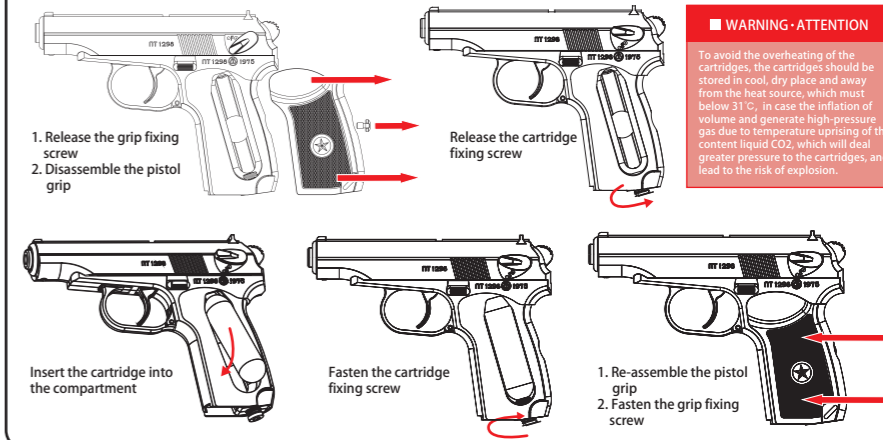
2 PM2 SAFETY DEVICE



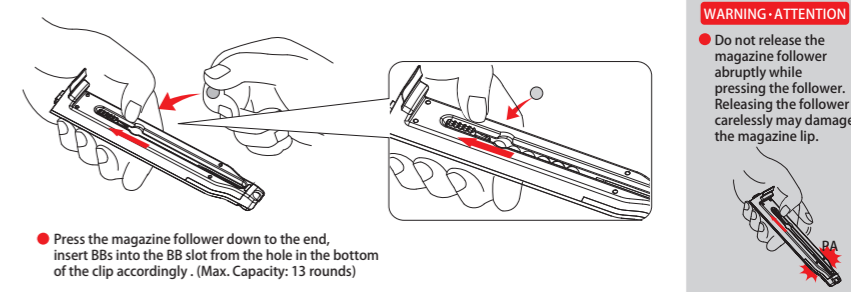
3 Loading Magazine



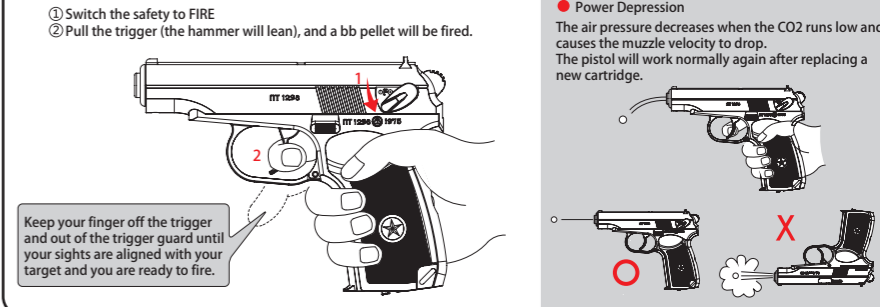
4 CO2 CARTRIDGE INSTALLATION



5 LOADING BBs



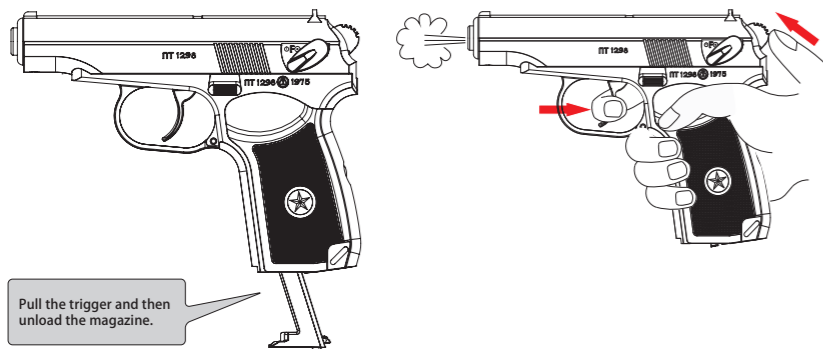
6 SHOOTING



7 CLEARING AND DISMOUNTING THE CARTRIDGE

- Press the magazine catch button to unload the magazine.
- Pull the trigger and fire several times towards safety directions, and ensure no BB is left inside the barrel.

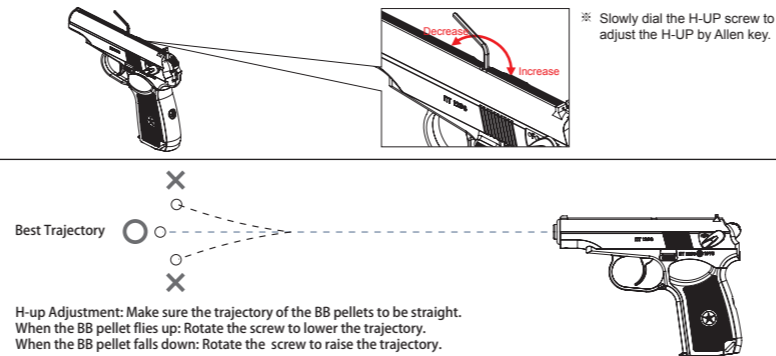
- For your safety, if there is CO2 remains in the cartridge, please do NOT dismount it directly. Pull the trigger and hold, then press the hammer forward to release the CO2 in the cartridge (via the barrel), dismount the cartridge once you ensure safety.



8 BASIC TROUBLESHOOTING GUIDE

SYMPTOMS	POSSIBLE CAUSE	SOLUTIONS
No response	The safety is ON. (No firing)	Switch the safety to "OFF". (refer to step 2)
CO2 comes out from the barrel	Temperature is too low. (during the winter)	Reheat the cartridge to room temperature.
	Cartridge over-pressured	It will return normal after firing several times.
BBs fly up	H-UP is over adjusted.	Adjust the H-UP screw clockwise. (refer to step 9)
Shooting range is too short	H-UP is not enough.	Adjust the H-UP screw counter-clockwise. (refer to step 9)
	Foreign matters or oil in the inner barrel.	Clean the inner barrel and H-UP bucking.
	Cartridge over-pressured.	It will return normal after firing several times.
BBs roll out of barrel	H-UP is not enough.	Adjust the H-UP screw counter-clockwise. (refer to step 9)
Jammed	H-UP is over adjusted.	Adjust the H-UP screw clockwise. (refer to step 9)
	Bad BBs, oversize BBs	0.2g to 0.25g 6mm caliber BBs are recommended for optimum performance.
	Foreign matters or oil in the inner barrel.	Clean the inner barrel.
Trigger cannot be pulled.	BBs or foreign matters jam inside the case.	Take out the BBs or foreign matters.
CO2 leaking from perforated seat	Bad installation of the cartridge	Replace a new cartridge after confirming the cartridge is empty.(refer to step 7, item 4 and step 4)
	Not enough silicon oil for perforated seat.	Grease the perforated seat.
Magazine lip cannot hold the BBs.	Magazine lip abraded	Replace the Magazine lip.

9 H-UP ADJUSTMENT



10 PARTS DESCRIPTION

ITEM#	DESCRIPTION	Q'TY	ITEM#	DESCRIPTION	Q'TY
AP-01	PM2 Frame	1	AP-31	PM2 Firing Pin	1
AP-02	PM2 Grip	1	AP-32	PM2 Cylinder Gasket	1
AP-03	PM2 Grip Screw	1	AP-33	PM2 Cylinder Cover O-Ring	2
AP-04	PM2 Muzzle-BK	1	AP-34	PM2 Cylinder Cover	1
AP-04R	PM2 Muzzle-RED	1	AP-36	PM2 Cylinder Housing	1
AP-05	Round Head Philips Screw Flat Point	1	AP-37	PM2 Cylinder Housing Pin	2
AP-06	Inner Barrel (88.5mm)	1	AP-38	PM2 Cylinder Housing Screw	1
AP-07	Inner Barrel O-ring	1	AP-39	PM2 Fire Selector	1
AP-08	PM2 H-UP Bucking	1	AP-40	PM2 Fire Selector O-Ring	1
AP-09	PM2 H-UP Chamber	1	AP-41	PM2 Fire Selector Housing	1
AP-10	H-UP Hex Socket Set Screw Flat Point	1	AP-42	PM2 Fire Selector Housing Screw	1
AP-11	H-UP Adjust O-ring	1	AP-43	PM2 Frame Screw	4
AP-12	Inner Barrel C-clip	1	AP-44	PM2 Magazine Lip	1
AP-13	PM2 Nozzle Housing	1	AP-45	PM2 Magazine Case	1
AP-14	PM2 Nozzle	1	AP-46	PM2 Magazine Follower	1
AP-15	PM2 Trigger Guard	1	AP-47	PM2 Magazine Follower Spring	1
AP-16	PM2 Trigger Guard Spring	1	AP-48	PM2 Magazine Catch Spring	1
AP-17	PM2 Trigger	1	AP-49	PM2 Magazine Catch	1
AP-18	Trigger Pin	2	AP-50	PM2 Magazine Cover	1
AP-19	PM2 Trigger Spring	1	AP-51	PM2 Magazine Cover Screw	4
AP-20	PM2 Trigger Bar	1	AP-52	Allen Key	1
AP-21	PM2 Sear Spring	1	AP-53	PM2 O-Ring Parts	1
AP-22	PM2 Sear	1	AP-54	PM2 Spring Parts	1
AP-23	PM2 Hammer Spring	1	AP-55	PM2 H-UP Parts	1
AP-24	PM2 Hammer	1	AP-56	PM2 Cylinder Parts	1
AP-25	PM2 Cylinder Case	1	AP-57	PM2 Magazine	1
AP-28	PM2 Firing Pin O-Ring	1	AP-58	PM2 14mm CCW Muzzle End	1
AP-29	Washer	1	AP-59	PM2 Cylinder Perforated Seat	1
AP-30	PM2 Firing Pin Spring	1	AC-03	Shadow Extension Tube (100mm)	1

11 PARTS DIAGRAM

*The components/accessories for each model may have kind of differences depending on the actual goods. Images are only for reference.

