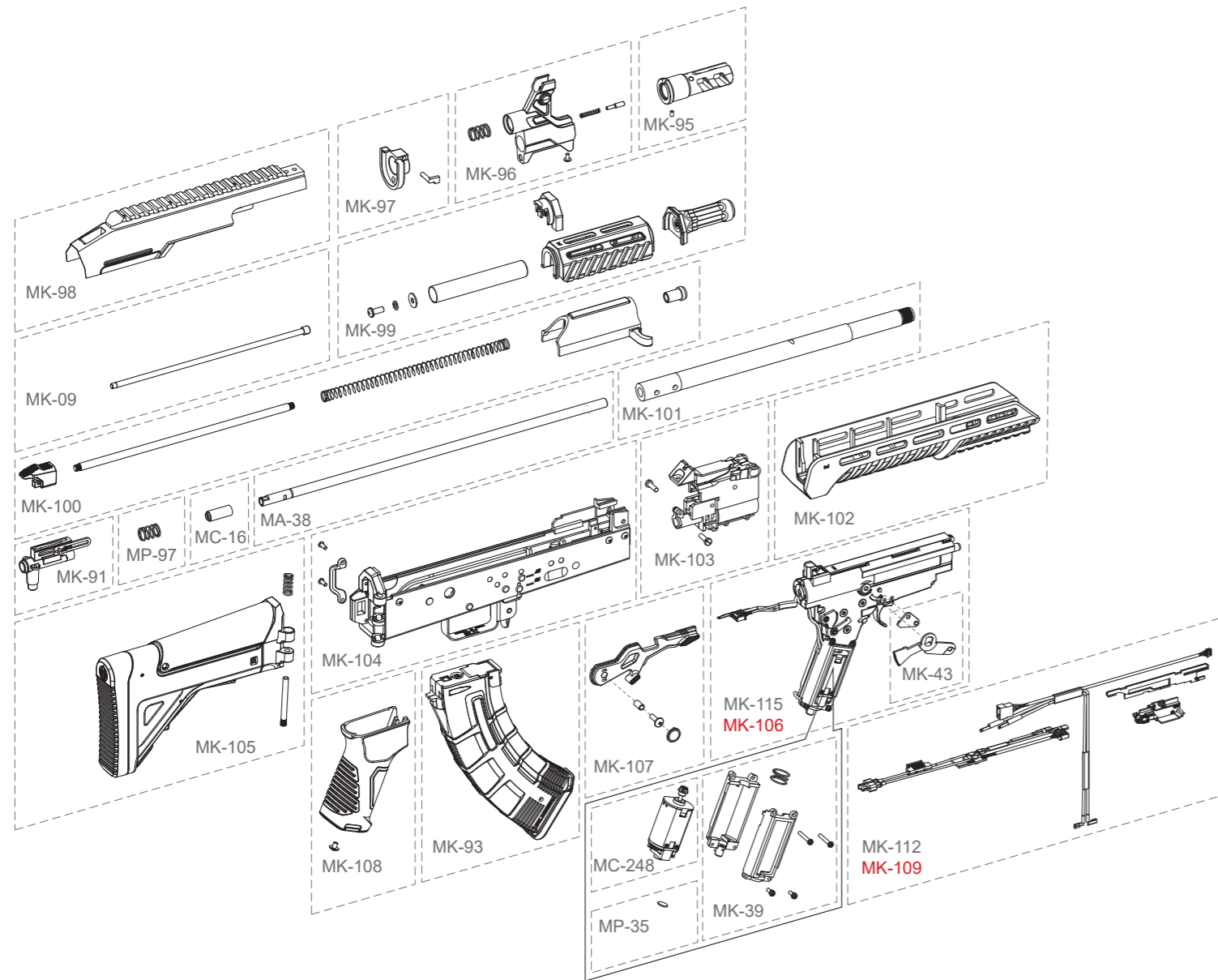


8 各部零件說明 Description

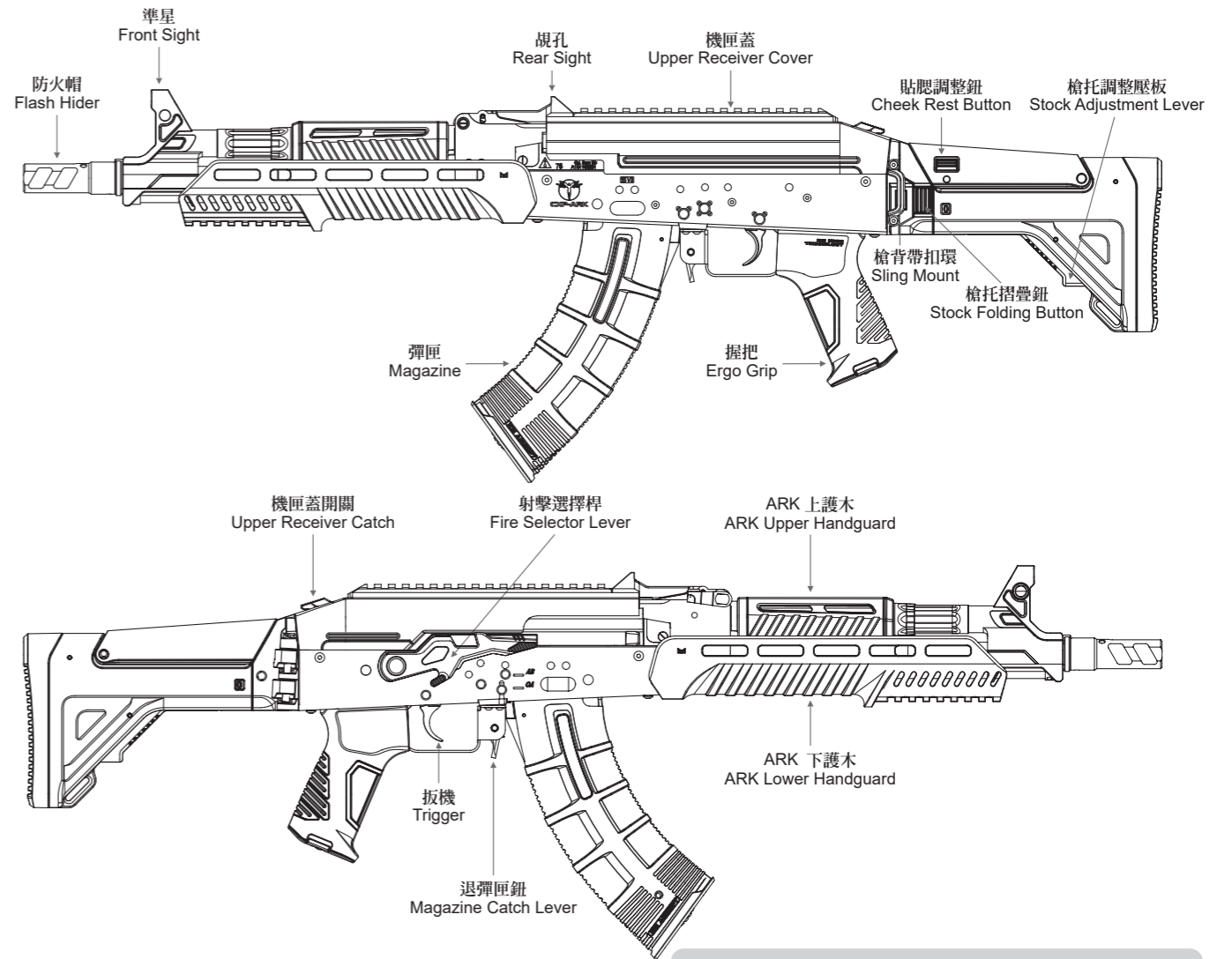
ICS-131

※紅色的零件號碼為SSS版本用件
The part numbers in red are for SSS V3 version.

*每一款槍型基本配備不同依實際出貨為主。圖片僅供參考。
The components/accessories for each model may have kind of differences depending on the actual goods. Images are only for reference.



1 各部名稱 Series Component



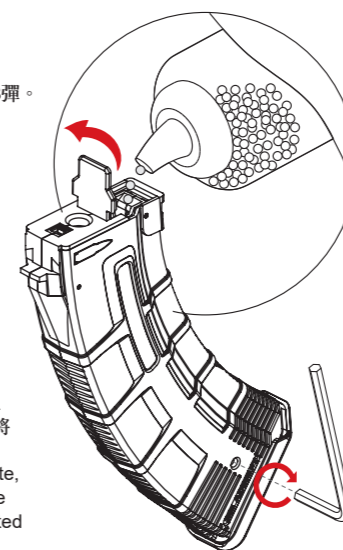
相關系列產品型號與詳細規格，請以官方網站公布為主。
For related series product models and detailed specifications, please refer to the official website.

2 彈匣使用方式 Magazine Attachment

2-1 裝BB彈方式 Load BBs

將彈匣上蓋依箭頭方向打開再倒入BB彈。
Open the cover to load BBs.

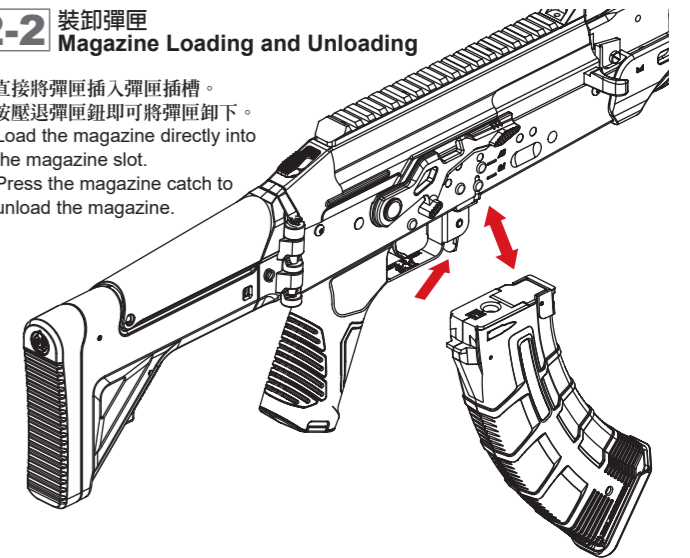
限使用 6mm BB彈。
Please use 6mm caliber BBs only.



依箭頭方向旋緊彈匣底座旋鈕或插入3mm內六角扳手再依箭頭旋轉，即可將BB彈順利送進。
Rotate the dial gear on the base plate, or with a 3mm allen key into the hole on the magazine housing as instructed to charge the BB feeding spring.

2-2 裝卸彈匣 Magazine Loading and Unloading

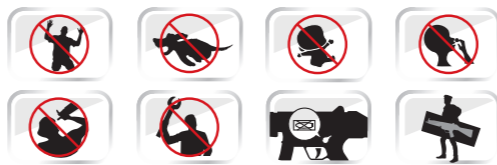
1. 直接將彈匣插入彈匣插槽。
2. 按壓退彈匣鈕即可將彈匣卸下。



WARNING 警告 電槍使用之注意事項 Maintenance

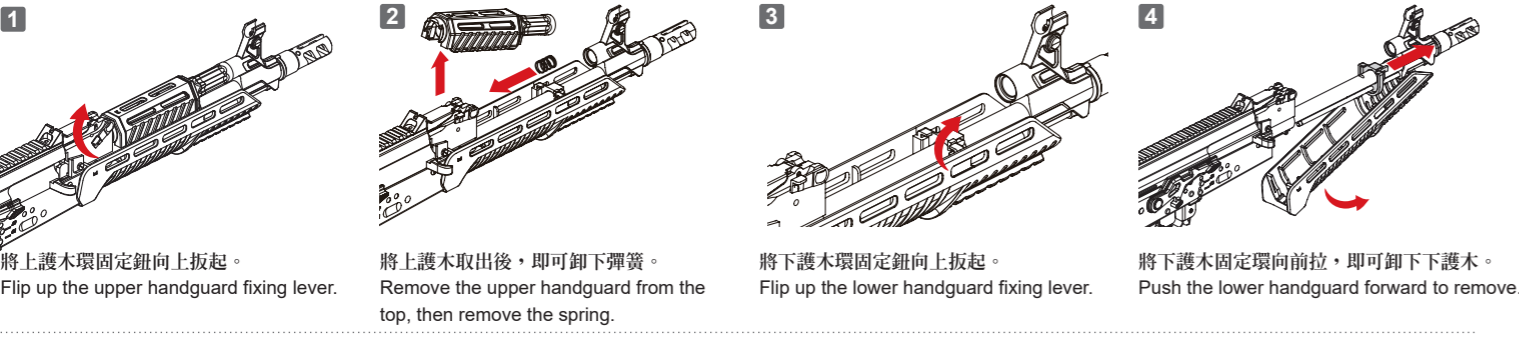
1. 請勿使用劣質或回收BB彈，以減少槍管損耗及避免卡彈。
2. 一旦發生卡彈或射擊速度降低時，應立即停止射擊，以避免齒輪過度耗損。請使用通槍條將殘彈清除，或檢測電池電量後方可繼續使用。
3. 不使用本產品時，請務必將射擊選擇鈕置於保險(S)的位置上，將電池移除並定期使用通槍條清潔槍管。
4. 請依原廠附贈之保險絲規格使用。不當配置可能導致零件故障。槍內配置M100彈簧請用20A保險絲，M120彈簧請用25A保險絲。
5. 彈頭直徑6mm。其槍口動能為二焦耳以下、射程範圍為50公尺以內。
6. 適用年齡為18歲以上。
7. 使用本商品不得改造或變造，並不得使用金屬彈頭。
8. 「此槍非玩具」，濫用可能造成嚴重傷害，尤其是眼睛。使用時應確保保身及射擊範圍內所有人員均已確實穿戴護目鏡。
9. 使用方法及注意事項詳閱說明書內容。
10. 建議使用以下電池以達到最大效益：
SSS系統建議使用7.4v & 11.1v Li-Po電池。
傳統電開與FET電開系統11.1v LiPo電池Ready。
※使用非建議電池可能會造成產品效能低落、功能異常甚至損毀。

1. To reduce the abrasion of inner barrel and to avoid BB jam, please do not use inferior or reused BB pellets.
2. If your gun is jammed or the muzzle velocity has decreased, please stop shooting immediately in case the gear abrades excessively. Use the clearing rod to clear out the remaining pellets, or check your battery power before continue using your gun.
3. Please engage the safety, dismount the battery and clear the inner barrel with the clearing rod periodically when not using this product.
4. Please use the same fuse specification as the original one. Equipping improper fuse might cause malfunction to the components. Apply 20A fuse if the gun using a M100 spring; apply 25A fuse if using M120 spring.
5. The diameter of the BB pellet is 6mm. The muzzle energy is less than two joules, and the shooting range is within 50 meters.
6. The recommended age to operate this product is 18 years old and above.
7. Modify, reform, and using metal bullets on this product are strictly forbidden.
8. This is NOT a toy. Abusing might cause severe injuries, especially to the eyes. Before operating, please make sure that every personnel in the shooting range have worn eye protections properly, including the operator.
9. Please read the manual for instruction and precaution.
10. In order to achieve the maximum performance, the following batteries are recommended:
SSS system: 7.4v or 11.1v Li-Po batteries.
Traditional switch and FET switch system: 11.1v Li-Po battery Ready.
※Using non-recommended batteries may cause poor performance, abnormal functions or even damage to the product.
Origin: Taiwan/ Manufacturer: ICS enterprise Co., Ltd / Address: No.67, Ln. 79, Dongzhou Rd., Shengang Dist., Taichung City 429, Taiwan / TEL: (+886) 4-2525-6461

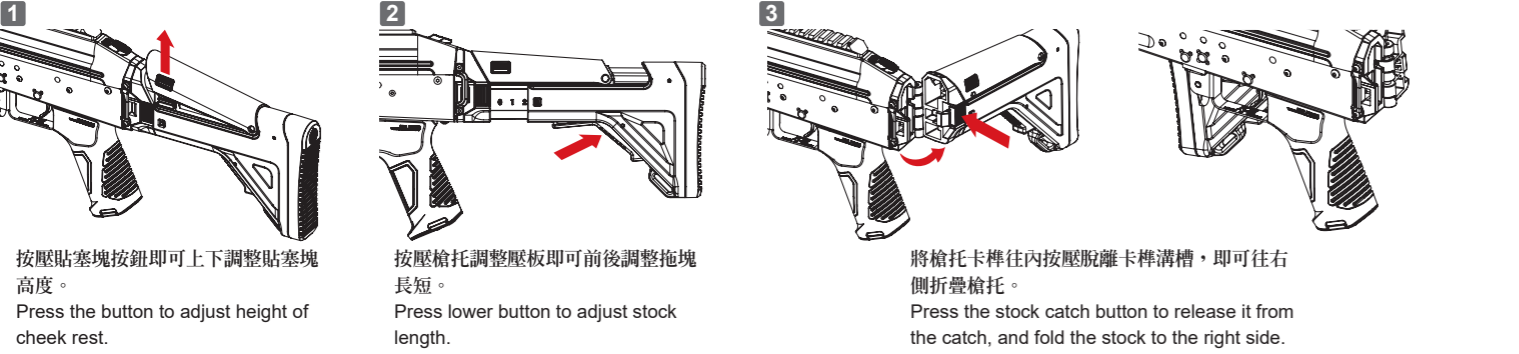


3 可動部的說明 Movable Parts

3-1 護木拆卸方式 Disassembling The Handguard

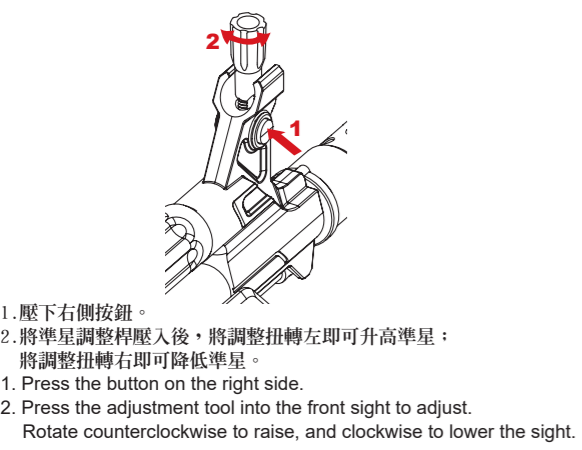


3-2 SF1托 操作 SF1 Operation

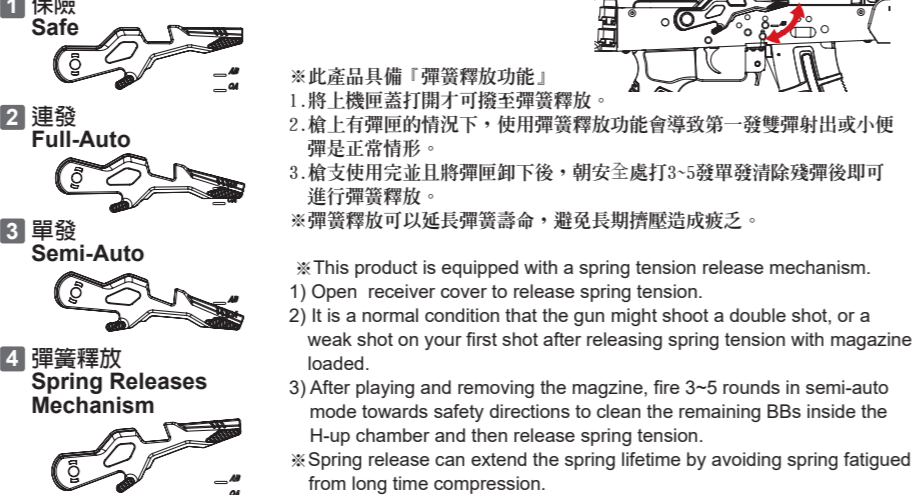


4 精確射擊調整動作 Precision Targeting Adjustment

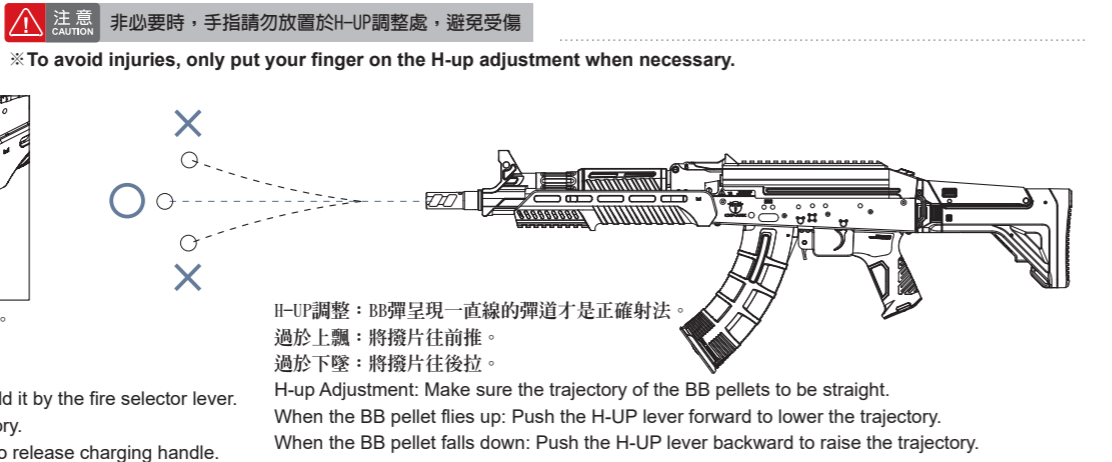
4-1 準星調整 Front Sight Adjustment



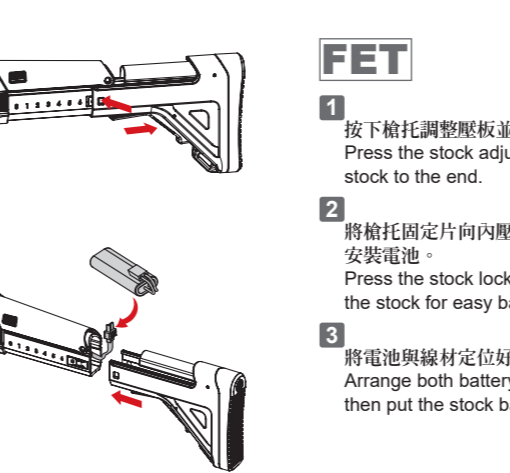
4-2 選擇射擊模式 Shooting Mode Setting



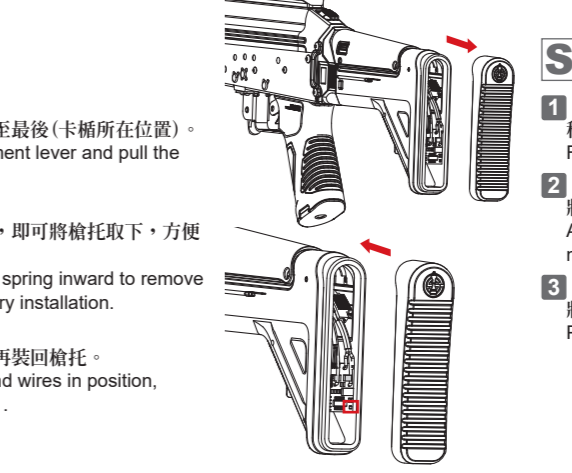
5 H-UP 彈道調整 H-UP Adjustment



6 電池的拆裝方法 Battery Installation and Disassembly

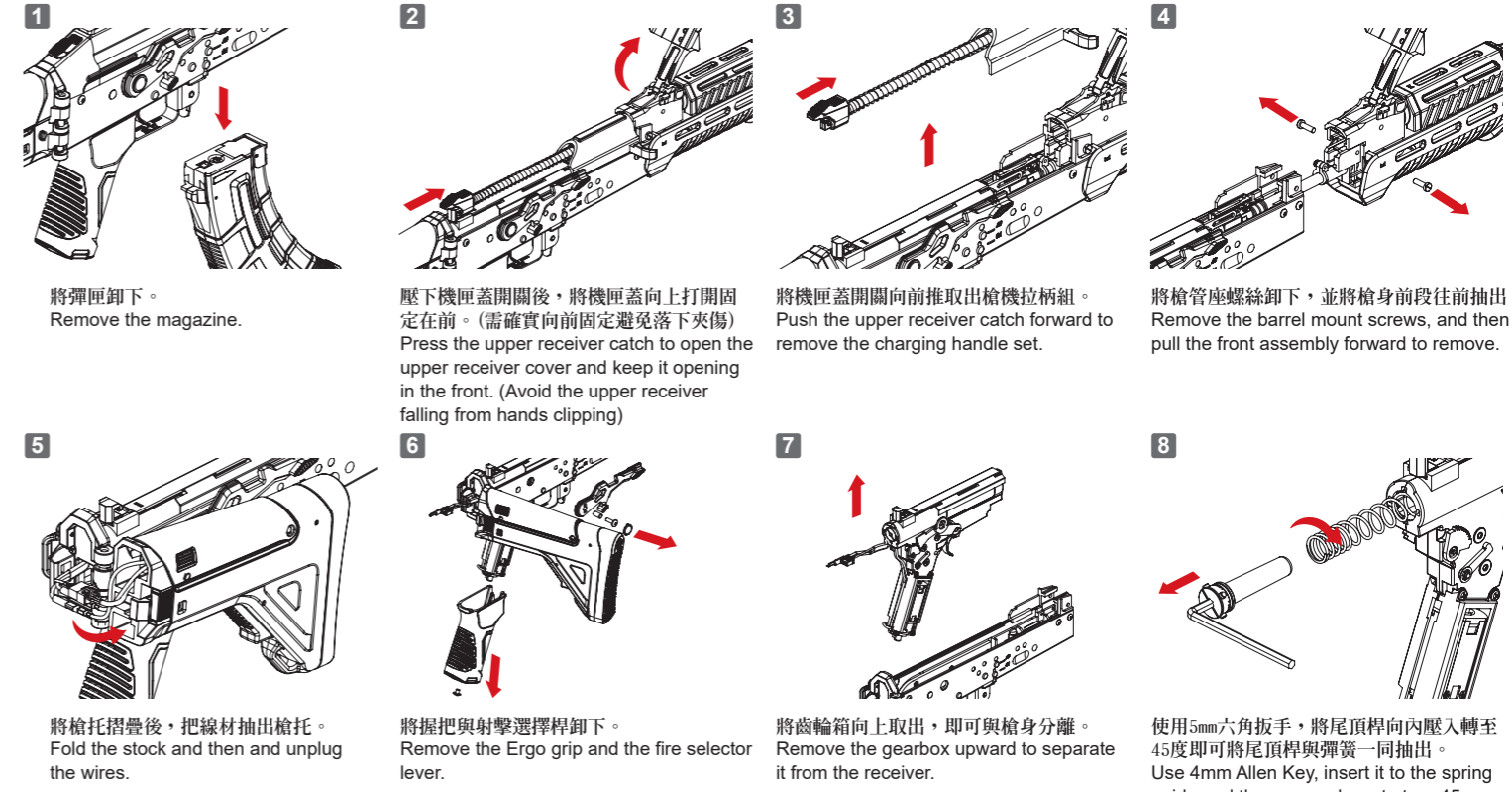


注意 CAUTION 重新組裝時，必須依反向動作做組合 ※ Reassembling is the reverse of disassembling procedures.



7 齒輪箱與槍身的取出與安裝 The Gearbox & Receiver Take Out / Install

7-1 取出齒輪箱 Take Out Gearbox from Receiver.



7-2 安裝齒輪箱 Install Gearbox into Receiver.

