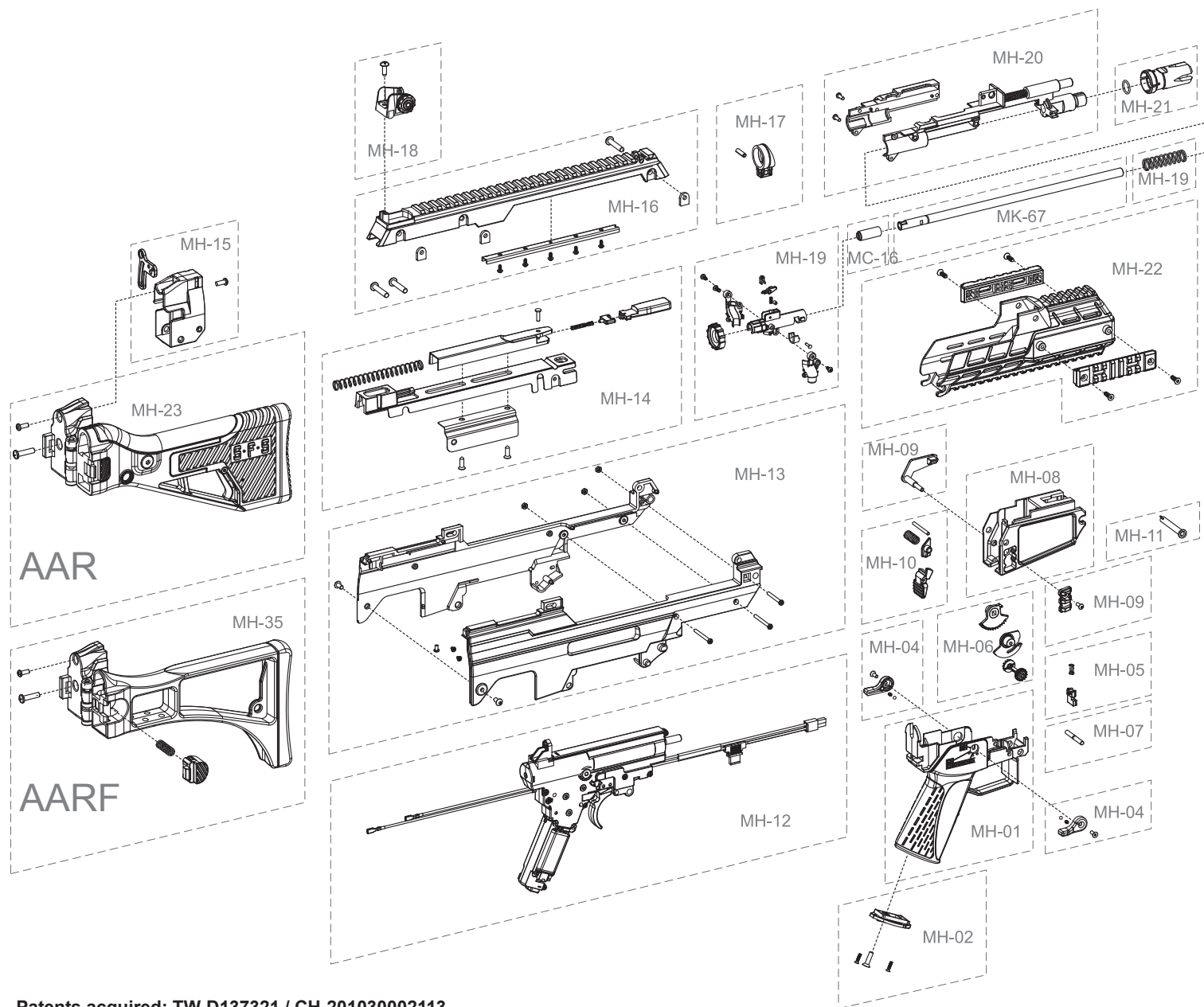


8

## 各部零件說明 Description

ICS-233  
AAR SFS Stock

\*每一款槍型基本配備不同依實際出貨為主。圖片僅供參考。  
The components/accessories for each model may have kind of differences depending on the actual goods. Images are only for reference.



Patents acquired: TW-D137321 / CH-201030002113

### WARNING 警告 電槍使用之注意事項 Maintenance

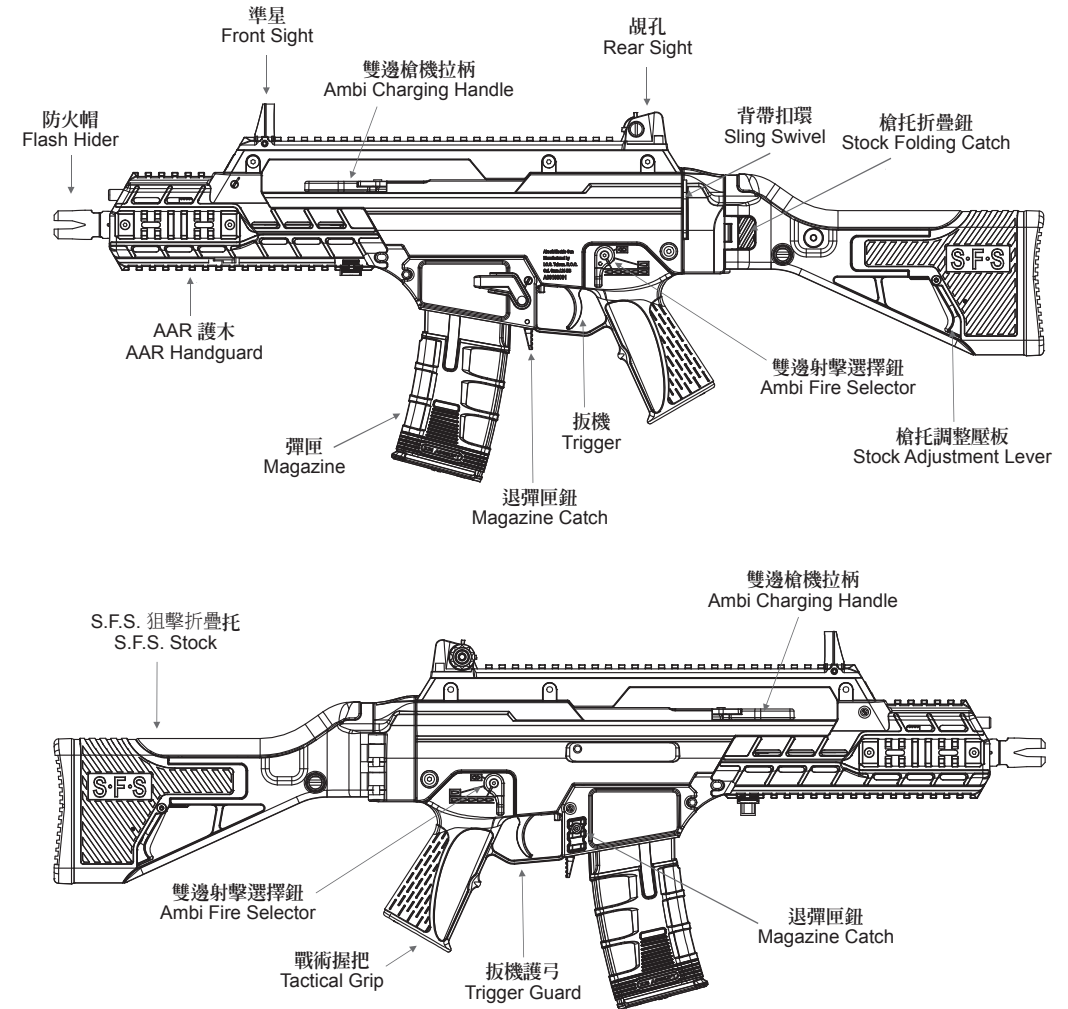
- 請勿使用劣質或回收BB彈，以減少槍管損耗及避免卡彈。
- 一旦發生卡彈或射擊速度降低時，應立即停止射擊，以避免齒輪過度耗損。請使用通槍條將殘彈清除，或被測電池電量後方可繼續使用。
- 不使用本產品時，請務必將射擊選擇鈕置於保險(S)的位置上，將電池移除並定期使用通槍條清潔槍管。
- 請依原廠附贈之保險絲規格使用。不當配置可能導致零件故障，槍內配置M100彈簧請用20A保險絲，M120彈簧請用25A保險絲。
- 彈頭直徑6mm。其槍口動能為二焦耳以下、射程範圍為50公尺以內。
- 適用年齡為18歲以上。
- 使用本商品不得改造或變造，並不得使用金屬彈頭。
- 「此槍非玩具」，濫用可能造成嚴重傷害，尤其是眼睛。使用時應確保本身及射擊範圍內所有人員均已確實穿戴護目鏡。
- 使用方法及注意事項請詳閱說明書內容。
- 建議使用以下電池以達到最大效益：  
SSS系統建議使用7.4v & 11.1v Li-Po電池。  
傳統電開與FET電開系統11.1v Li-Po電池Ready。  
※使用非建議電池可能會造成產品效能低落、功能異常甚至損毀。  
(原產地：台灣 / 製造商：一芝軒企業有限公司 / 地址：台中市神岡區東洲路79巷67號 / 電話：04-25256461)
- To reduce the abrasion of inner barrel and to avoid BB jam, please do not use inferior or reused BB pellets.
- If your gun is jammed or the muzzle velocity has decreased, please stop shooting immediately in case the gear abrades excessively. Use the clearing rod to clear out the remaining pellets, or check your battery power before continue using your gun.
- Please engage the safety, dismount the battery and clear the inner barrel with the clearing rod periodically when not using this product.
- Please use the same fuse specification as the original one. Equipping improper fuse might cause malfunction to the components. Apply 20A fuse if the gun using a M100 spring; apply 25A fuse if using M120 spring.
- The diameter of the BB pellet is 6mm. The muzzle energy is less than two joules, and the shooting range is within 50 meters.
- The recommended age to operate this product is 18 years old and above.
- Modify, reform, and using metal bullets on this product are strictly forbidden.
- This is NOT a toy. Abusing might cause severe injuries, especially to the eyes. Before operating, please make sure that every personnel in the shooting range have worn eye protections properly, including the operator.
- Please read the manual for instruction and precaution.
- In order to achieve the maximum performance, the following batteries are recommended:  
SSS system: 7.4v or 11.1v Li-Po batteries.  
Traditional switch and FET switch system: 11.1v Li-Po battery Ready.  
※Using non-recommended batteries may cause poor performance, abnormal functions or even damage to the product.  
Origin: Taiwan/ Manufacturer: ICS enterprise Co., Ltd / Address: No.67, Ln. 79, Dongzhou Rd., Shengang Dist., Taichung City 429, Taiwan / TEL : (+886) 4-2525-6461

內容如有任何更新，將以官方網站公布為準。  
Latest updates will be announced on our official website.



1

## 各部名稱 Series Component



相關系列產品型號與詳細規格，請以官方網站公布為主。  
For related series product models and detailed specifications, please refer to the official website.

2

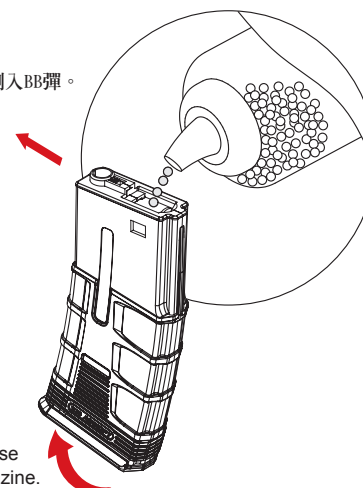
## 彈匣使用方式 Magazine Attachment

### 2-1 裝BB彈方式 Load BBs

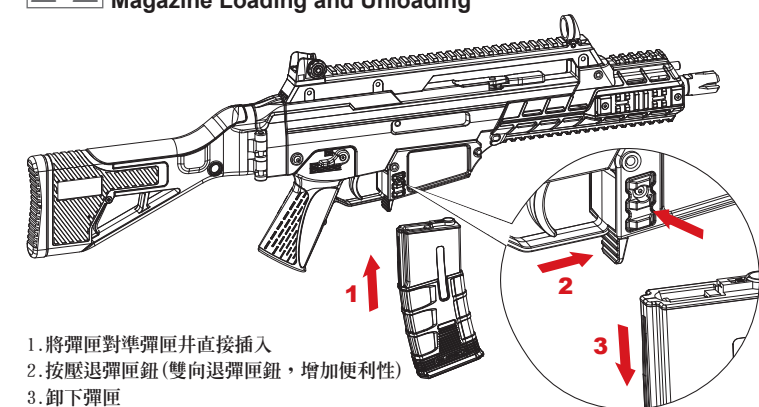
將彈匣上蓋依箭頭方向推開再倒入BB彈。  
Open the cover to load BBs.

建議使用 6mm BB彈。  
6mm caliber BBs are recommended for optimum performance.

依箭頭方向旋緊彈匣底下旋鈕，即可將BB彈順利送出。  
To charge BB feed spring, please rotate the gear under the magazine.



### 2-2 裝卸彈匣 Magazine Loading and Unloading



- 將彈匣對準彈匣槽直接插入
- 按壓退彈匣鈕(雙向退彈匣鈕，增加便利性)
- 卸下彈匣

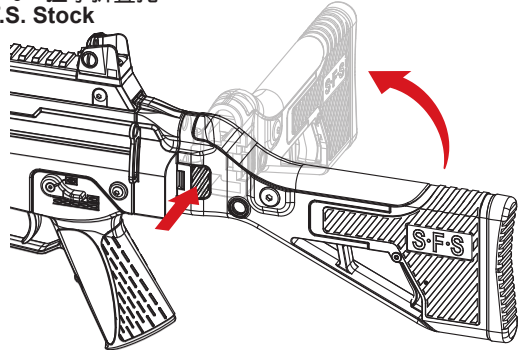


### 3 可動部的說明 Movable Parts

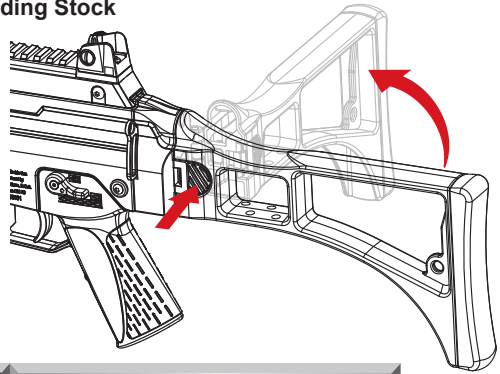
#### 3-1 槍托折疊調整 Folding Stock Adjustment

按壓槍托折疊鈕即可折疊。  
Pull the charging handle back to the end of the groove.

##### 1 S.F.S. 狙擊折疊托 S.F.S. Stock



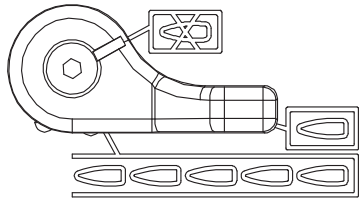
##### 2 折疊托 Folding Stock



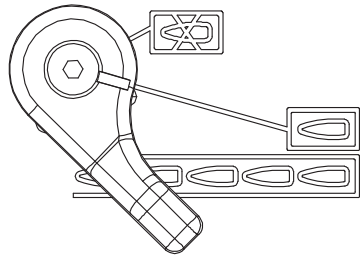
### 4 精確射擊調整動作 Precision Targeting Adjustment

#### 4-1 選擇射擊模式 Shooting Mode Setting

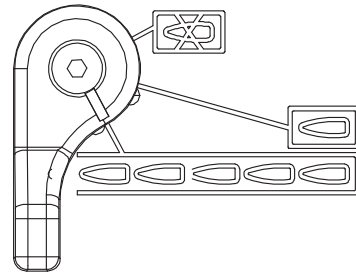
##### 1 保險 Safe



##### 2 單發 Semi



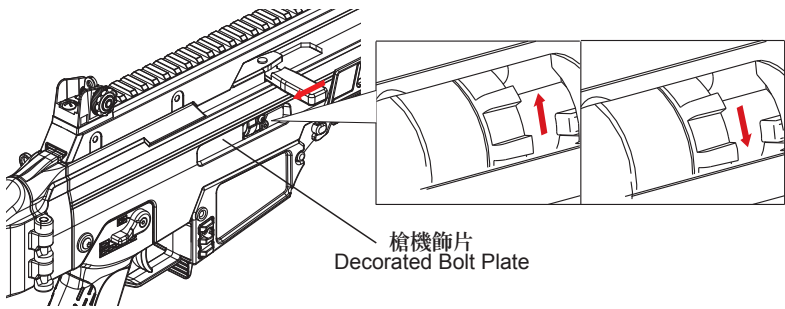
##### 3 連發 Auto



### 5 H-UP 彈道調整 H-UP Adjustment

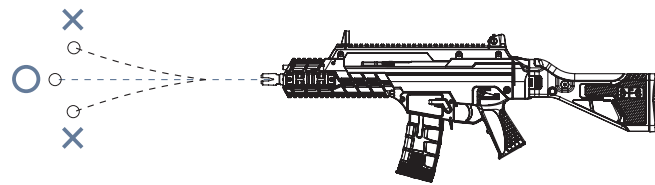
**注意** 非必要時，手指請勿放置於H-UP調整處，避免受傷

※ To avoid injuries, only put your finger on the H-up adjustment when necessary.



- 將槍機拉柄往後拉(不可放開)，槍機飾片向後打開，即可進行彈道調整。
- 視彈道進行撥盤調整，調整完即可放開槍機拉柄。

- To adjust the trajectory, pull and hold the charging handle to the end (do not release) to open the decorated bolt plate backward.
- Rotate the dial to adjust the trajectory. Release the charging handle once you finished the adjustment.



H-UP調整：BB彈呈現一直線的彈道才是正確射法。  
過於上飄：將撥盤向上旋轉。  
過於下墜：將撥盤向下旋轉。

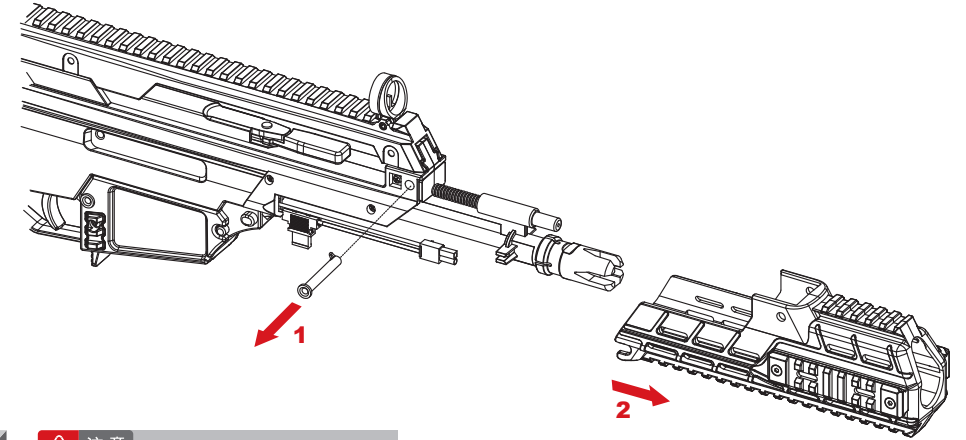
H-up Adjustment: Make sure the trajectory of the BB pellets to be straight.  
When the BB pellet flies up: Rotate the dial counter-clockwise to lower the trajectory.  
When the BB pellet falls down: Rotate the dial clockwise to raise the trajectory.

### 6 電池及護木的拆裝方法 Disassembling for Battery and Handguard

**注意** 重新組裝時，必須依反向動作組合

※ Reassembling is the reverse of disassembling procedures.

- 拉出護木組插銷。
- 將護木組朝槍口端推出。

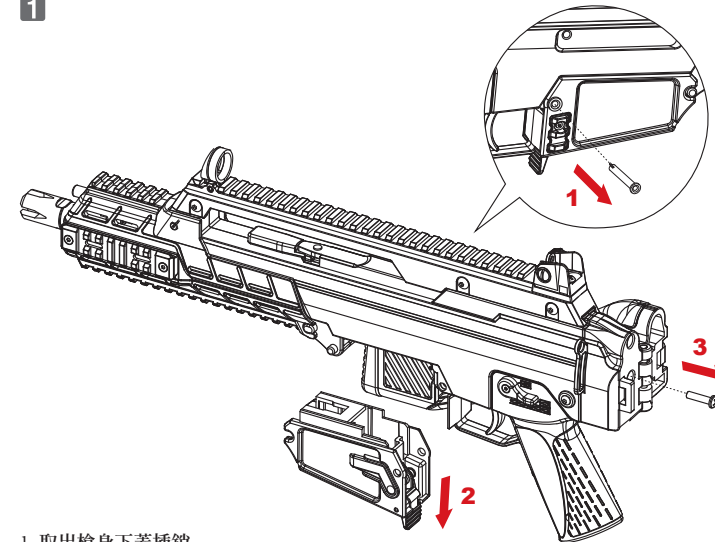


### 7 齒輪箱拆解 Disassemble Gearbox

**注意** 先卸彈匣跟電池，再進行拆解

※ Unload the magazine and battery before you proceed to disassemble.

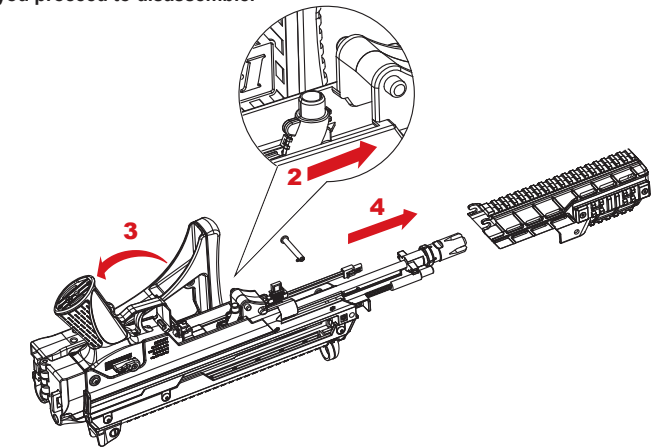
#### 1



- 取出槍身下蓋插銷
- 將槍身下蓋向下拆卸
- 折疊槍托後，旋開齒輪箱固定螺絲

1. Pull out the magazine housing pin.
2. Remove the magazine housing.
3. Fold the stock, remove the gearbox fixing screw.

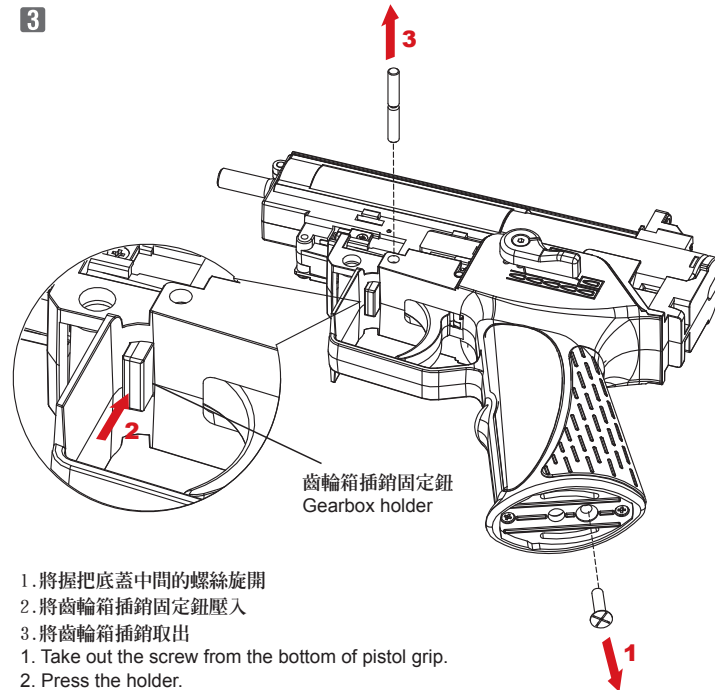
#### 2



- 將槍身反置，使握把朝上
- 拔除護木插銷，卸下護木(參考3裝電池方法)
- H-UP朝槍口方向用力推到底，同時進行下一步驟。
- 將握把朝反槍口方向抽拉，即可拆卸下槍身。(請小心抽出電線及保險絲組，避免過度拉扯)

1. Place the AEG up side down.
2. Pull out the handguard pin to dismount the handguard (Refer to step 3. Battery installation).
3. Push the H-up chamber forward to the end, and also proceed the next step at the same time.
4. Pull the pistol grip backward to dismount the lower receiver. (Please pull out the wires and fuses set with care to avoid pulling excessively)

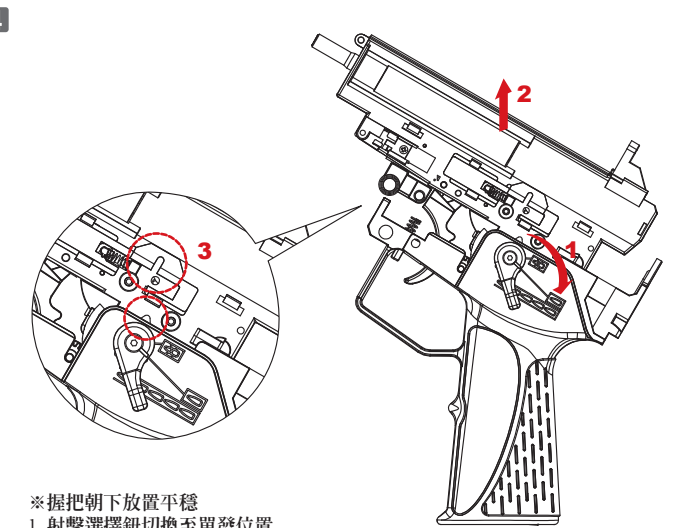
#### 3



- 將握把底蓋中間的螺絲旋開
- 將齒輪箱插銷固定鈕壓入
- 將齒輪箱插銷取出

1. Take out the screw from the bottom of pistol grip.
2. Press the holder.
3. Take the pin out.

#### 4



- ※ 握把朝下放置平穩
- 射擊選擇鈕切換至單發位置
  - 緩緩將齒輪箱往上拉出
  - 將齒輪箱裝回時，請依據圖三位置，對準射選片凹槽後裝回，避免射選功能異常

- ※ Steadily place the pistol grip facing down.
- Switch the fire selector to semi-auto.
  - Slowly pull up the gearbox to disassemble.
  - While replacing the gearbox, please proceed only after aligning it with the groove on the fire select plate according to photo 3, to avoid any abnormality of fire selecting function.