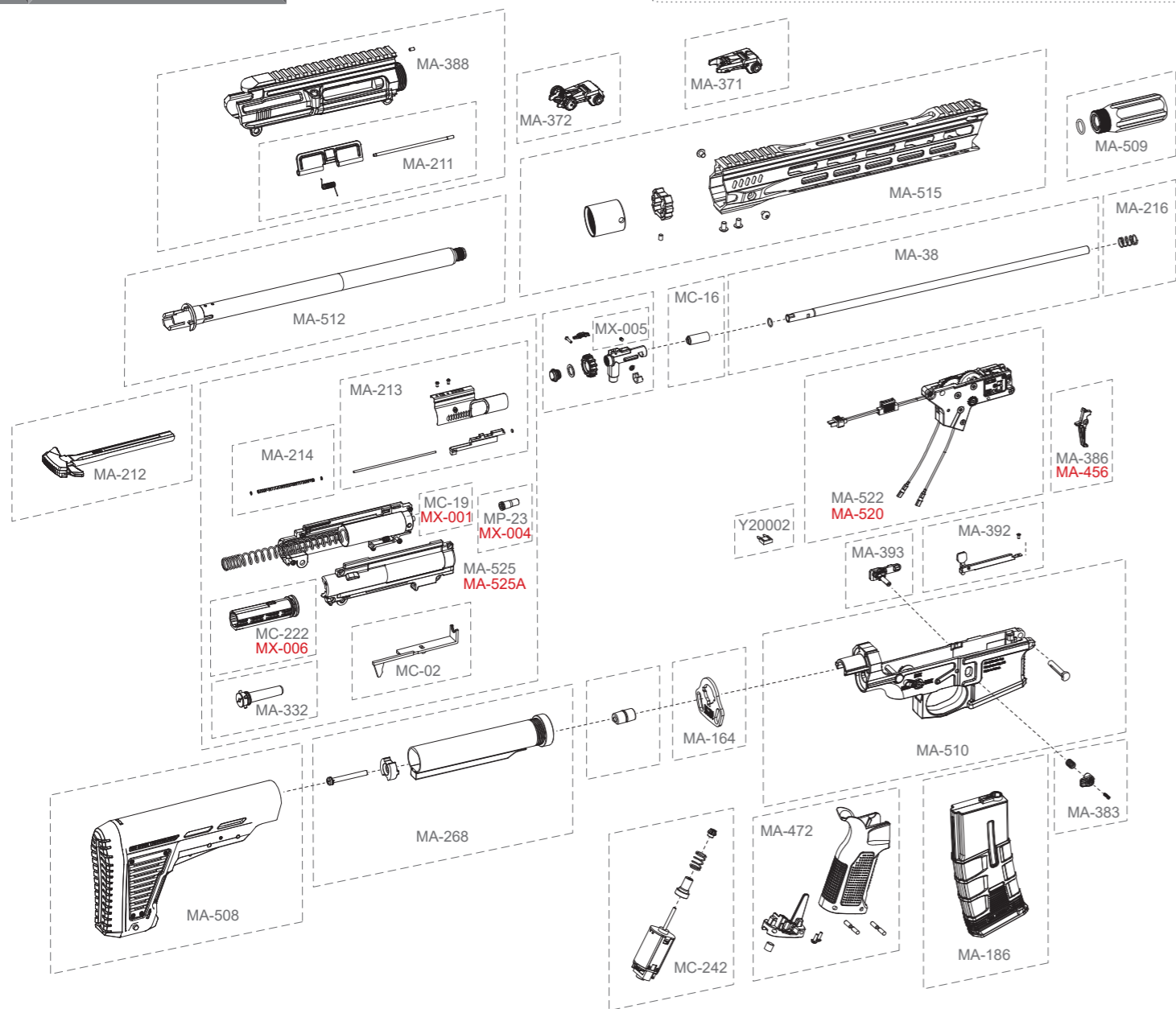


8 各部零件說明 Description

ICS-309 CXP-MARS.II CARBINE

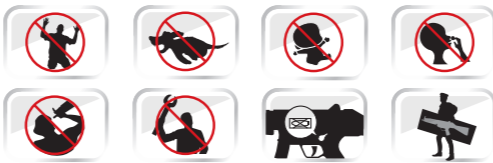
*每一款槍型基本配備不同依實際出貨為主。圖片僅供參考。
The components/accessories for each model may have kind of differences depending on the actual goods. Images are only for reference.



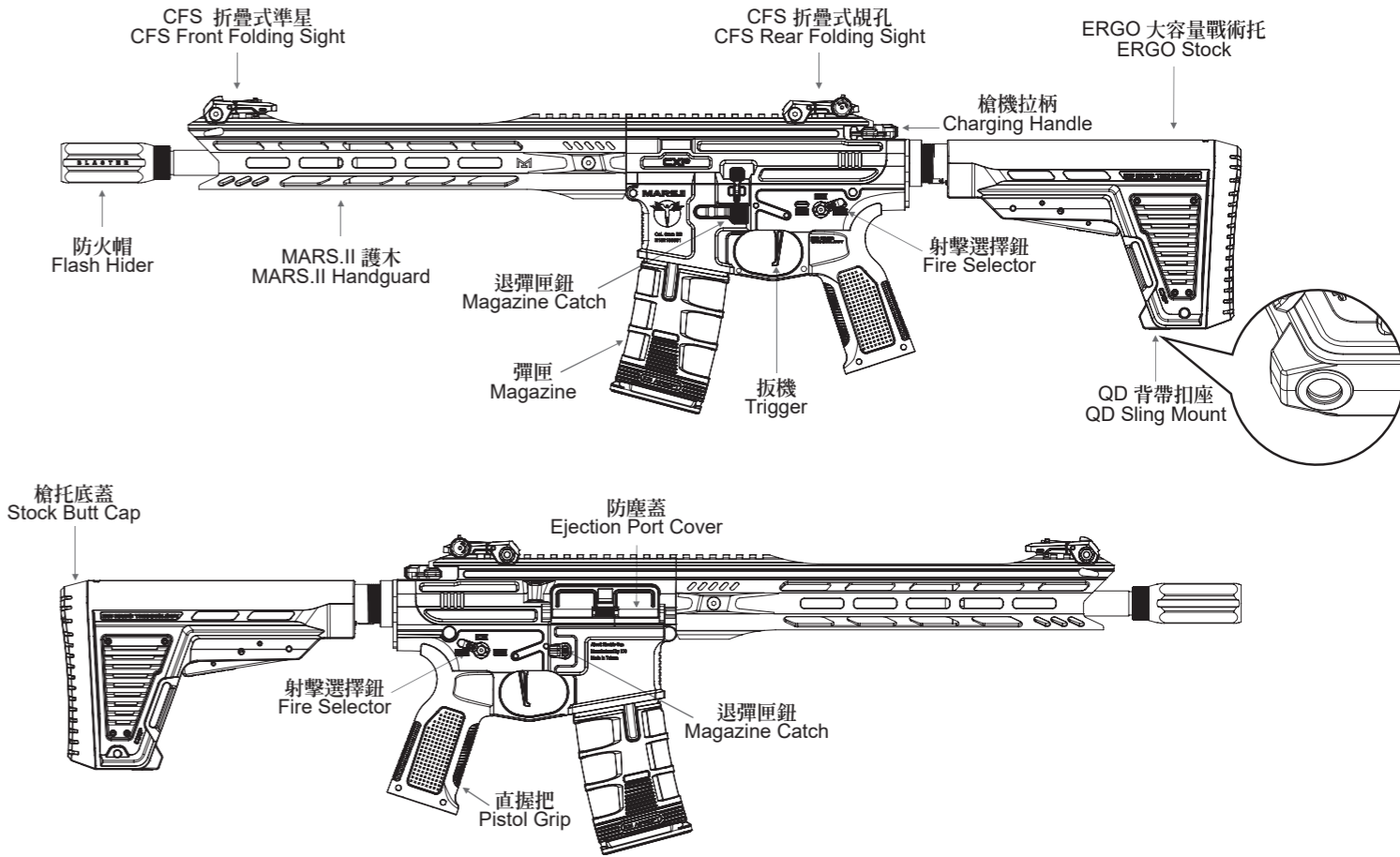
Patents acquired: US 7,077,117 B1 / US D706,879 S / US D706,880 S / R.O.C. M244431 / R.O.C. M320468 / R.O.C. D160112 / R.O.C. D159178 / R.O.C. M480664 / EM002246579-0001 / R.O.C.D168410 / R.O.C.D1531145 / USD744048S / EM002541334-0001 / R.O.C. D180133 / EM003297555-0001 / EM003297530-0001/EM003568161-0001/EM003568161-0002/R.O.C. D182341/R.O.C. D184761

WARNING 警告 電槍使用之注意事項 Maintenance

- 請勿使用劣質或回收BB彈，以減少槍管損耗及避免卡彈。
- 一旦發生卡彈或射擊速度降低時，應立即停止射擊，以避免齒輪過度耗損。請使用通槍條將殘彈清除，或被測電池電量後方可繼續使用。
- 不使用本產品時，請務必將射擊選擇鈕置於保險(S)的位置上，將電池移除並定期使用通槍條清潔槍管。
- 請依原廠附贈之保險絲規格使用。不當配置可能導致零件故障，槍內配置M100彈簧請用20A保險絲，M120彈簧請用25A保險絲。
- 彈頭直徑6mm。其槍口動能為二焦耳以下、射程範圍為50公尺以內。
- 適用年齡為18歲以上。
- 使用本商品不得改造或變造，並不得使用金屬彈頭。
- 「此槍非玩具」，濫用可能導致嚴重傷害，尤其是眼睛。使用時應確保本身及射擊範圍內所有人員均已確實穿戴護目鏡。
- 使用方法及注意事項請詳閱說明書內容。
- 建議使用以下電池以達到最大效益：
SSS系統建議使用7.4v & 11.1v Li-Po電池。
傳統電閘與FET電閘系統11.1v Li-Po電池Ready。
※使用非建議電池可能會造成產品效能低落、功能異常甚至損毀。
(原產地: 台灣 / 製造商: 一芝軒企業有限公司 / 地址: 台中市神岡區東洲路79巷67號 / 電話: 04-25256461)
- To reduce the abrasion of inner barrel and to avoid BB jam, please do not use inferior or reused BB pellets.
- If your gun is jammed or the muzzle velocity has decreased, please stop shooting immediately in case the gear abrades excessively. Use the clearing rod to clear out the remaining pellets, or check your battery power before continue using your gun.
- Please engage the safety, dismount the battery and clear the inner barrel with the clearing rod periodically when not using this product.
- Proper use the same fuse specification as the original one. Equipping improper fuse might cause malfunction to the components. Apply 20A fuse if the gun using a M100 spring; apply 25A fuse if using M120 spring.
- The diameter of the BB pellet is 6mm. The muzzle energy is less than two joules, and the shooting range is within 50 meters.
- The recommended age to operate this product is 18 years old and above.
- Modify, reform, and using metal bullets on this product are strictly forbidden.
- This is NOT a toy. Abusing might cause severe injuries, especially to the eyes. Before operating, please make sure that every personnel in the shooting range have worn eye protections properly, including the operator.
- Please read the manual for instruction and precaution.
- In order to achieve the maximum performance, the following batteries are recommended:
SSS system: 7.4v or 11.1v Li-Po batteries.
Traditional switch and FET switch system: 11.1v Li-Po battery Ready.
※Using non-recommended batteries may cause poor performance, abnormal functions or even damage to the product.
Origin: Taiwan/ Manufacturer: ICS enterprise Co., Ltd / Address: No.67, Ln. 79, Dongzhou Rd., Shengang Dist., Taichung City 429, Taiwan / TEL: (+886) 4-2525-6461



1 各部名稱 Series Component



相關系列產品型號與詳細規格，請以官方網站公布為主。
For related series product models and detailed specifications, please refer to the official website.

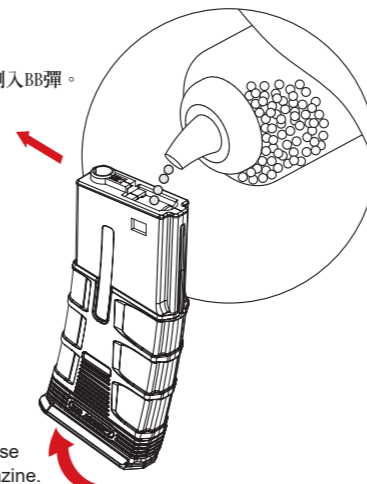
2 彈匣使用方式 Magazine Attachment

2-1 裝BB彈方式 Load BBs

將彈匣上蓋依箭頭方向推開再倒入BB彈。
Open the cover to load BBs.

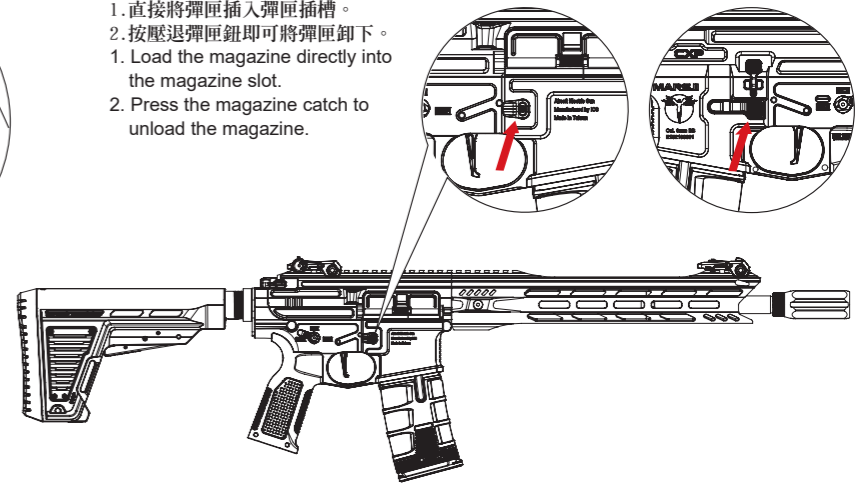
建議使用 6mm BB彈。
6mm caliber BBs are recommended for optimum performance.

依箭頭方向旋緊彈匣底旋鈕，即可將BB彈順利送出。
To charge BB feed spring, please rotate the gear under the magazine.



2-2 裝卸彈匣 Magazine Loading and Unloading

- 直接將彈匣插入彈匣插槽。
- 按壓退彈匣鈕即可將彈匣卸下。

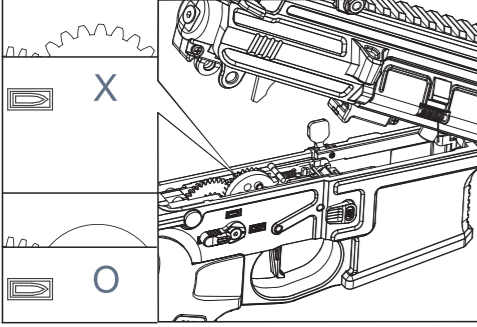


3 可動部的說明 Movable Parts

3-1 槍身結合3號齒正確位置圖 The correct position of sector gear before reassembling

注意 未進行歸位校正，會損壞活塞及齒輪
CAUTION Not correcting the position in advance may damage the piston and gears.

※ The piston and gear may be damaged without correcting the position in advance.

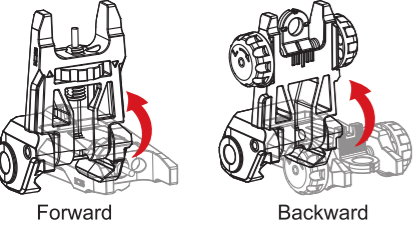


3號齒在槍身結合時，必須轉到正確位置，才可將上槍身蓋下。
Make sure the sector gear is turned to the correct position before reassembling the receiver/gearbox.

4 精確射擊調整動作 Precision Targeting Adjustment

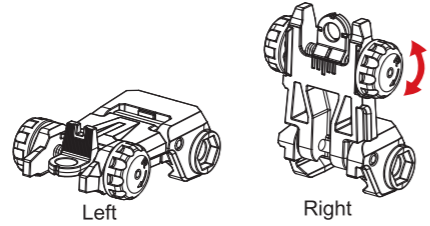
4-1 準星規孔調整方式 Front and Rear Sight Adjustment

A: 開合準星規孔 Rear and Front sights usage



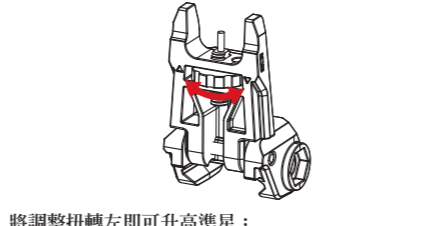
準星規孔立起或收合皆可瞄準
You can aim with the Front and Rear sight either raised or folded.

B: 規孔調整方式 Rear sight adjustment



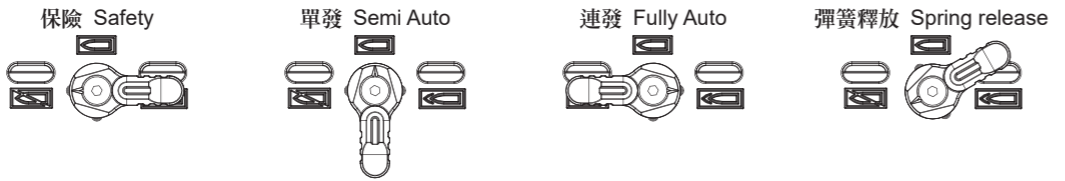
依旋鈕方向旋轉即可將規孔組左右調整
Rotate clockwise to aim right.
Rotate counter clockwise to aim left.

C: 準星高度調整 Front sight adjustment



將調整扭轉左即可升高準星；
將調整扭轉右即可降低準星。
Rotate the dial counterclockwise to raise the aiming point.
Rotate clockwise to lower the aiming point.

4-2 選擇射擊模式 Shooting Mode Setting

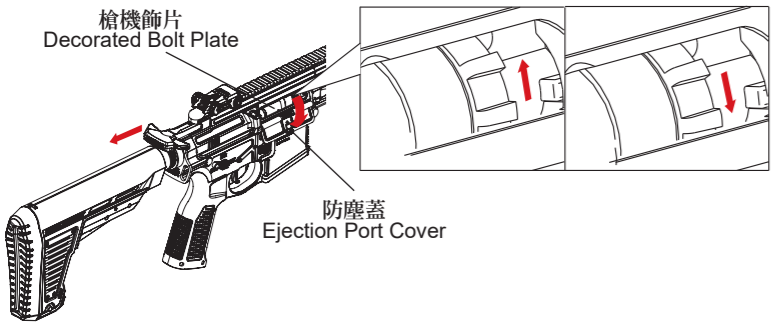


※此系列產品具備「彈簧釋放功能」。
1. 槍上有彈匣的情況下進行彈簧釋放，有機率造成第一發雙彈射出或者小便彈。
2. 槍枝使用完畢，請擊發2-3槍完成清槍並關閉保險確認槍管內已無殘彈。
3. 上下槍身分解前，務必先釋放彈簧，以免造成損壞。
※彈簧釋放可延長彈簧壽命，避免彈簧長期擠壓造成疲乏。

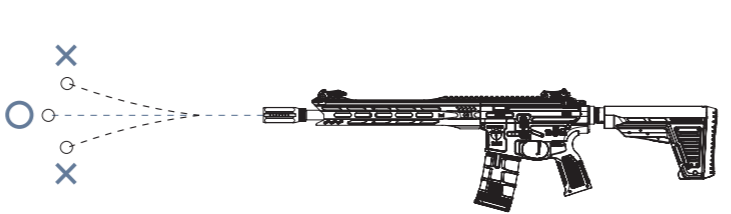
※ This product is equipped with spring release.
1. Having a magazine loaded, it is a normal condition that the gun might shoot a double feed shot, or a weak shot after releasing spring.
2. After finishing playing, fire the gun 2-3 times to clean the remaining BBs inside the hop-up chamber, then switch the selector lever to safety to ensure there is no BB left inside.
3. Before opening upper and lower receivers, always release spring first to protect piston and gears.
※ Spring release can extend the spring lifetime by avoiding spring fatigued from long time compression.

5 H-UP 彈道調整 H-UP Adjustment

注意 非必要時，手指請勿放置於H-UP調整處，避免受傷
CAUTION To avoid injuries, only put your finger on the H-up adjustment when necessary.



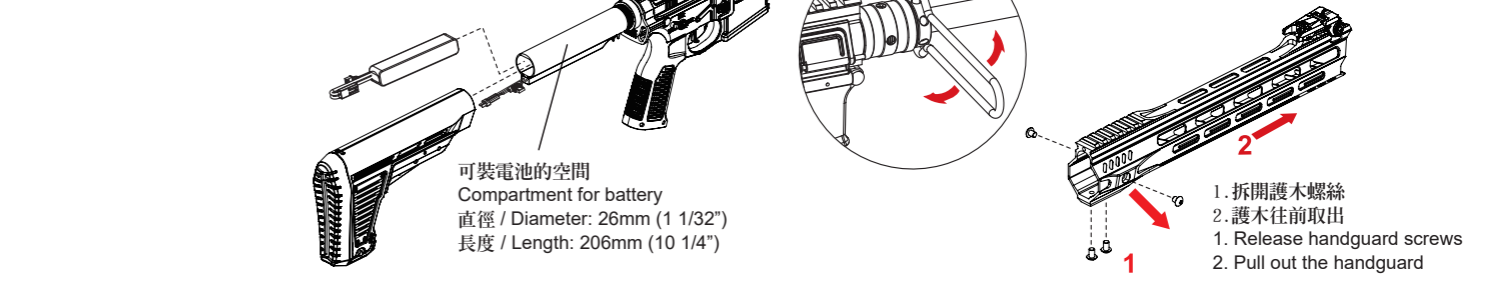
1. 將槍機拉柄往後拉(不可放開)，防塵蓋下翻、槍機飾片向後打開，即可進行彈道調整。
2. 視彈道進行撥盤調整，調整完即可放開槍機拉柄。
1. To adjust the trajectory, pull and hold the charging handle to the end (do not release) to open the ejection port cover downward, and open the decorated bolt plate backward.
2. Rotate the dial to adjust the trajectory. Release the charging handle once you finished the adjustment.



H-UP調整：BB彈呈現一直線的彈道才是正確射法。
過於上飄：將撥盤向上旋轉。
過於下墜：將撥盤向下旋轉。
H-up Adjustment: Make sure the trajectory of the BB pellets to be straight.
When the BB pellet flies up: Rotate the dial counter-clockwise to lower the trajectory.
When the BB pellet falls down: Rotate the dial clockwise to raise the trajectory.

6 電池及護木的拆裝方法 Disassembling for Battery and Handguard

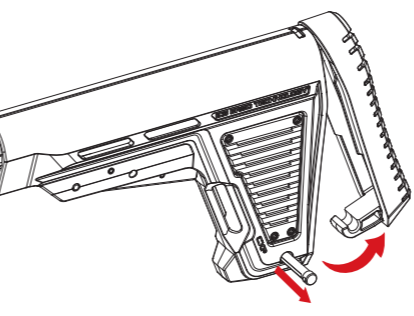
6-1 護木拆裝方式 Disassembling the handguard



6-2 電池裝卸方式 Loading the battery

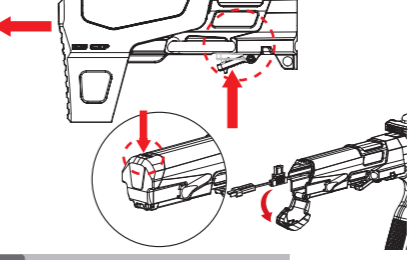
A: ERGO 托 ERGO Stock

拉開ERGO托蓋固定銷即可取下托蓋，方便安裝電池。
Pull the stock end plate pin out then remove the stock end plate to install the battery.



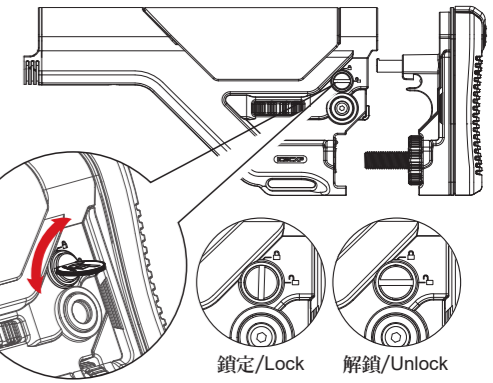
B: PDW 托 PDW Stock

1. 壓下槍托調整壓板並同時將槍托調整壓板上的固定扣向後推，取下槍托。
2. 開啓槍托後蓋，裝置電池。
1. Press the stock adjuster lever and also push the latch on the stock adjuster lever, then the stock can be pulled out.
2. Open the stock tube cap to install battery.



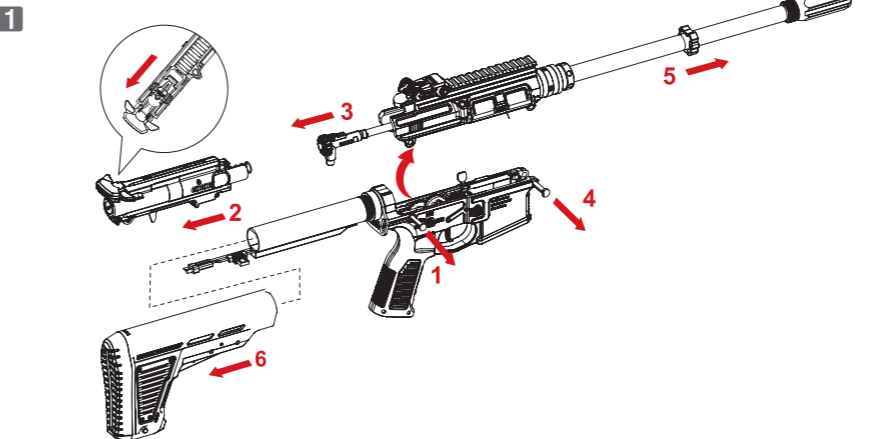
C: UKSR 托 UKSR Stock

用硬幣即可輕鬆解鎖取下槍托底蓋，方便安裝電池。
You can unscrew and remove the stock butt cap with a coin easily for easy battery installation.

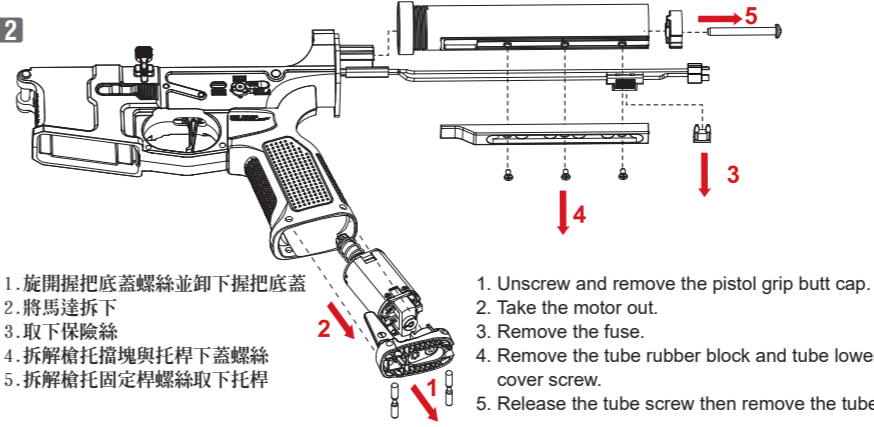


7 齒輪箱拆解 Disassemble Gearbox

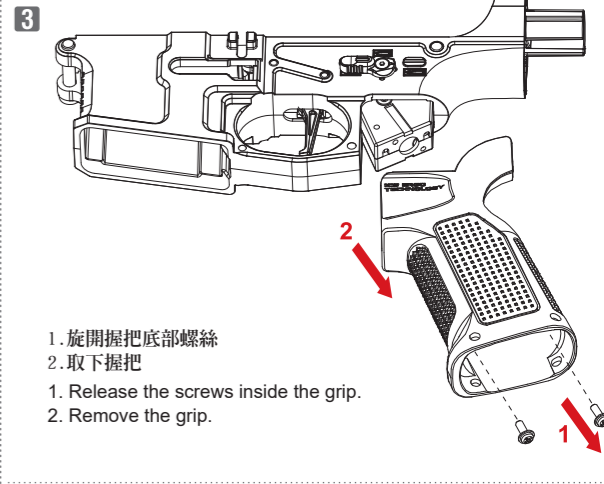
注意 先卸彈匣跟電池，再進行拆解
CAUTION Unload the magazine and battery before you proceed to disassemble.



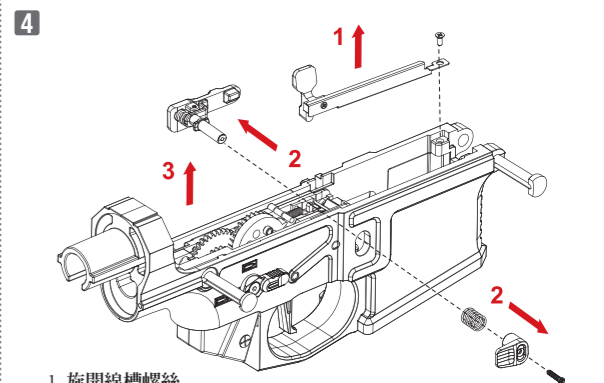
1. 先將槍身後結合銷推出即可打開上槍身
2. 取出上齒輪箱
3. 取出H-UP組
4. 再將槍身前結合銷推出
5. 取出上槍身組
6. 將槍托調整桿向後按壓後取出槍托
1. Push out the rear receiver pin to open the upper receiver.
2. Take out the charging handle with upper gearbox together.
3. Take out the H-UP set.
4. Push out the front receiver pin.
5. Separate the upper receiver.
6. Push the stock release lever then pull out the stock.



1. 旋開握把底蓋螺絲並卸下握把底蓋
2. 將馬達拆下
3. 取下保險絲
4. 拆解槍托擋塊與托桿下蓋螺絲
5. 拆解槍托固定桿螺絲取下托桿
1. Unscrew and remove the pistol grip butt cap.
2. Take the motor out.
3. Remove the fuse.
4. Remove the tube rubber block and tube lower cover screw.
5. Release the tube screw then remove the tube.



1. 旋開握把底部螺絲
2. 取下握把
1. Release the screws inside the grip.
2. Remove the grip.



1. 旋開線槽螺絲
2. 旋開彈匣卡榫螺絲並取下
3. 將下齒輪箱取出
1. Release the crew on wire guard assembly.
2. Remove the screw on the magazine catch button.
3. Take out the lower gearbox.